



**ELECTRO  
MECHANICAL  
LOCKING  
SPECIALISTS**

**LOX<sup>®</sup>**  
LOCKING



**THE  
NEW  
BLK.**

**LOX<sup>®</sup>**  
**BLK**

# Electric Strikes

# ES20 SERIES

High Security Electric Strikes - Australian Footprint

## ES20 DESCRIPTION

The **LOX ES20** Series high security Electric Door Strikes are one of the most successful commercial Electric Strike products in Australia. It is manufactured from stainless steel, accepts D.C. Voltages from 10 to 30 VDC and is site interchangeable from Fail-Secure to Fail Safe (Power to Release to Power to Lock) by only using a small screw-driver.

The **ES20** Series Strikes have a 10mm strike lip as standard. This prevents potential personal injury and damage to clothing as compared to Electric Strikes with a 15mm strike lip.

All **ES20** Series Strikes are pre-drilled to take extension lips in various sizes.

The **ES20M** Electric Strike is one of the strongest Electric Strikes in its category.





**ES20**  
NON MONITORED HIGH SECURITY STRIKE

**ES20M**  
MONITORED HIGH SECURITY STRIKE

### ES20M MONITORING:

LOCK STATUS MONITORING (LSS) = LOCK LOCKED/UNLOCKED  
DOOR STATUS / LATCH MONITORING SENSORS = DOOR OPEN/CLOSED  
ANTI-TAMPER-MONITORING = STRIKE SECURELY INSTALLED/STRIKE TAKEN OUT OF FRAME

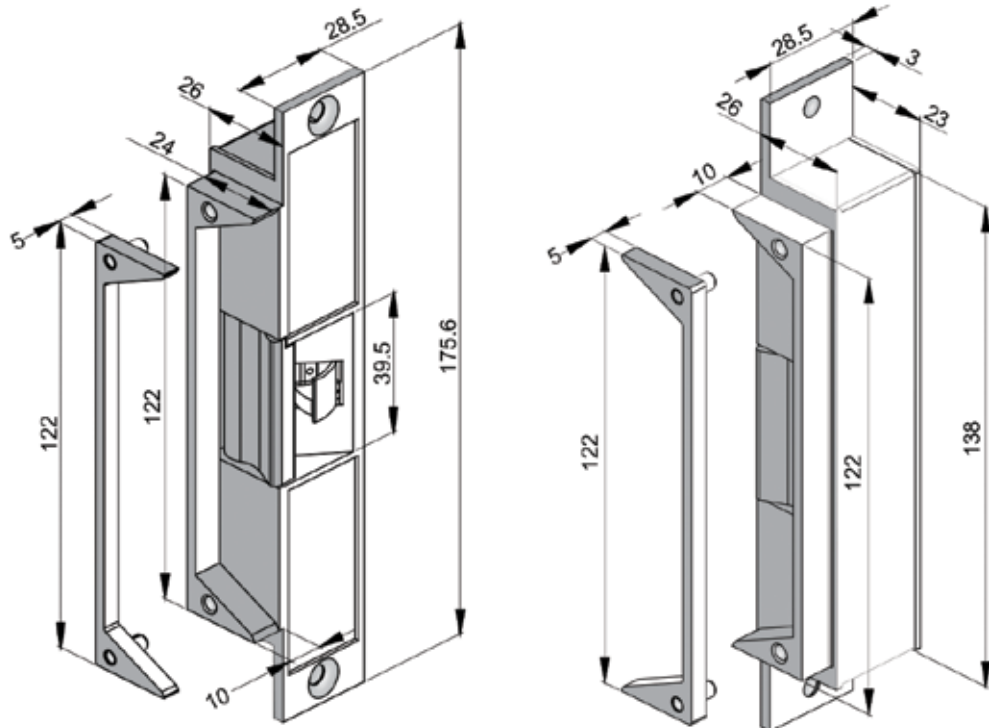
## SPECIFICATIONS

|                         |   |
|-------------------------|---|
| <b>ES20</b>             | AUSTRALIAN PROFILE NON MONITORED DOOR STRIKE. MORTICE MOUNT, POWER TO LOCK/POWER TO OPEN<br>FIELD INTERCHANGEABLE CAPACITY.   |
| <b>ES20M</b>            | MONITORED VERSION OF THE ES20   |
| <b>HOLDING STRENGTH</b> | UP TO 1100KG, TESTED TO 1.5 MILLION CYCLES  |
| <b>VOLTAGE/CURRENT</b>  | MULTI VOLTAGE 10—30VDC, 250mA AT 12VDC, 125mA AT 24VDC  |
| <b>APPROVALS</b>        | UP TO 4 HOUR FIRE RATED TO A.S STANDARDS, CE & C-TICK   |
| <b>LSS MONITORING</b>   | STATUS SENSOR OF THE INTERNAL LOCKING MECHANISM   |
| <b>DSS MONITORING</b>   | DOOR LATCH SENSOR, DOOR LATCH ENGAGED WITHIN STRIKE KEEPER  |
| <b>ATS MONITORING</b>   | DOOR STRIKE REMOVED OR REPOSITIONED SENSOR  |
| <b>ENVIRONMENTAL</b>    | OPERATIONAL TEMPERATURE RANGE - 20 DEG. C TO 60 DEG. C.   |

# ES20 SERIES

High Security Electric Strikes - Australian Footprint

## PRODUCT DIMENSIONS



Dimensions (mm)

## ES20 FACTS

- 5 year warranty
- Simple Power To Lock/Power To Release interchange
- No loose pins and springs
- 10mm strike lip pre-drilled for extension lips
- Multi-Voltage: 10-30VDC
- Fire rated CE & RCM Approvals
- Superior holding strength

## ACCESSORIES



### ES20-EL15

LOX ES20 EXTENSION LIP 15MM

### ES20-EL25

LOX ES20 EXTENSION LIP 25MM

### ES20-EL50

LOX ES20 EXTENSION LIP 50MM

### ES20-EL75

LOX ES20 EXTENSION LIP 75MM



### ES20REBATE

LOX ES20 STAINLESS STEEL 13MM REBATE KIT

# ES10 SERIES

Light Commercial and Residential Electric Strikes - ANSI Footprint

## ES10 DESCRIPTION

The **LOX ES10** Series ANSI Electric Door Strike is one of the most successful residential & light commercial Electric Strike products in Australia. It is a dual voltage product accepting voltages of either 12 or 24VDC. The LOX ES10 Series Electric Strikes are site interchangeable from Fail-Secure to Fail Safe (Power to Release to Power to Lock) by only using a small screw-driver.

The **ES10** Series Strikes are designed to be morticed into a door frame on a single swing door equipped with either a mortice lock or a cylindrical tongue lock. The LOX ES10 Series Strikes are pre-drilled to accommodate for extension lips, come with a 5-year warranty and have a holding strength of up to **1000kg**.

The monitored **ES10M** version comes with Door Status Sensor (door latch monitoring).

The non-monitored **ES10** version is weather resistant **IP56** rated.




**ES10**  
NON MONITORED ANSI FOOTPRINT STRIKE

**ES10M**  
MONITORED ANSI FOOTPRINT STRIKE

**ES10M MONITORING**

DOOR STATUS / LATCH MONITORING SENSORS = DOOR OPEN/CLOSED

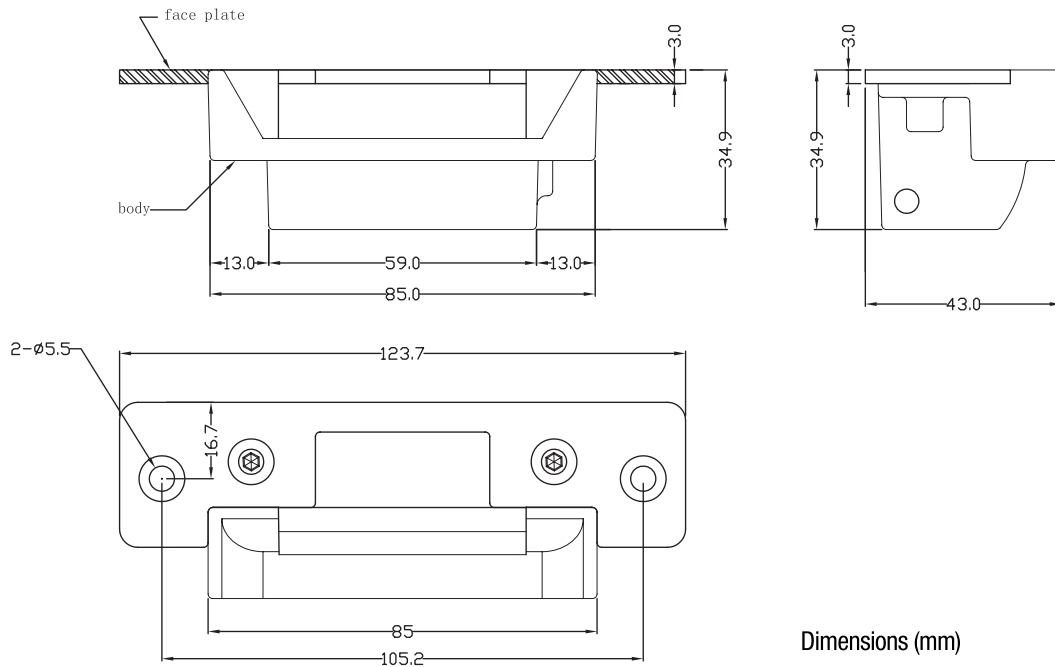
## SPECIFICATIONS

|                         |  |
|-------------------------|--|
| <b>ES10</b>             | ANSI PROFILE NON MONITORED DOOR STRIKE. MORTICE MOUNT, POWER TO LOCK/POWER TO OPEN<br>FIELD SELECTABLE & IP RATED                          |
| <b>ES10M</b>            | MONITORED VERSION OF THE ES10 NON WEATHER RESISTANT  |
| <b>HOLDING STRENGTH</b> | UP TO 1000KG TESTED 1 MILLION CYCLES   |
| <b>VOLTAGE/CURRENT</b>  | DUAL VOLTAGE 12/24VDC 12VDC = 200mA 24VDC = 100mA  |
| <b>APPROVALS</b>        | UP TO 4 HOUR FIRE RATED TO A.S STANDARD, CE & C-TICK  |
| <b>DSS MONITORING</b>   | DOOR LATCH SENSOR, DOOR LATCH ENGAGED WITHIN STRIKE KEEPER ES10M VERSION   |
| <b>IP RATING</b>        | ES10 VERSION IP56 ES10M VERSION NOT WEATHER RESISTANT  |
| <b>ENVIRONMENTAL</b>    | OPERATIONAL TEMPERATURE RANGE - 20 DEG. C TO 60 DEG. C.  |

# ES10 SERIES

Light Commercial and Residential Electric Strikes - ANSI Footprint

## PRODUCT DIMENSIONS



Dimensions (mm)

## ES10 FACTS

- ES10 Weather Resistant (IP56)
- ES10M monitored version available (not weather resistant)
- 5 year warranty
- Simple Power To Lock/Power To Release interchange
- Pre-drilled for extension lips
- Dual-Voltage: 12 or 24VDC
- Fire rated

## ACCESSORIES



### ES10-EL15

LOX ES10 EXTENSION LIP 15MM

### ES10-EL25

LOX ES10 EXTENSION LIP 25MM

### ES10-EL50

LOX ES10 EXTENSION LIP 50MM

### ES10-EL75

LOX ES10 EXTENSION LIP 75MM

# ES15 SERIES

Electric Strike Surface Mounted (RIM Mounted) Weather Resistant

## ES15 DESCRIPTION

The **LOX ES15** Series surface mount Electric Door Strikes can be used for pedestrian gates and light commercial applications. They are dual voltage products accepting voltages of either 12 or 24VDC.

The **ES15** Electric Strikes are site interchangeable from Fail-Secure to Fail Safe (Power to Release to Power to Lock) by only using a small screwdriver.

The **ES15** Series Strikes come with a 5-year warranty and have a holding strength of up to **1200kg**.

The non-monitored **ES15** version is weather resistant **IP56** rated.



### ES15

NON MONITORED WEATHER RESISTANT RIM-MOUNT STRIKE

### SPECIFICATIONS

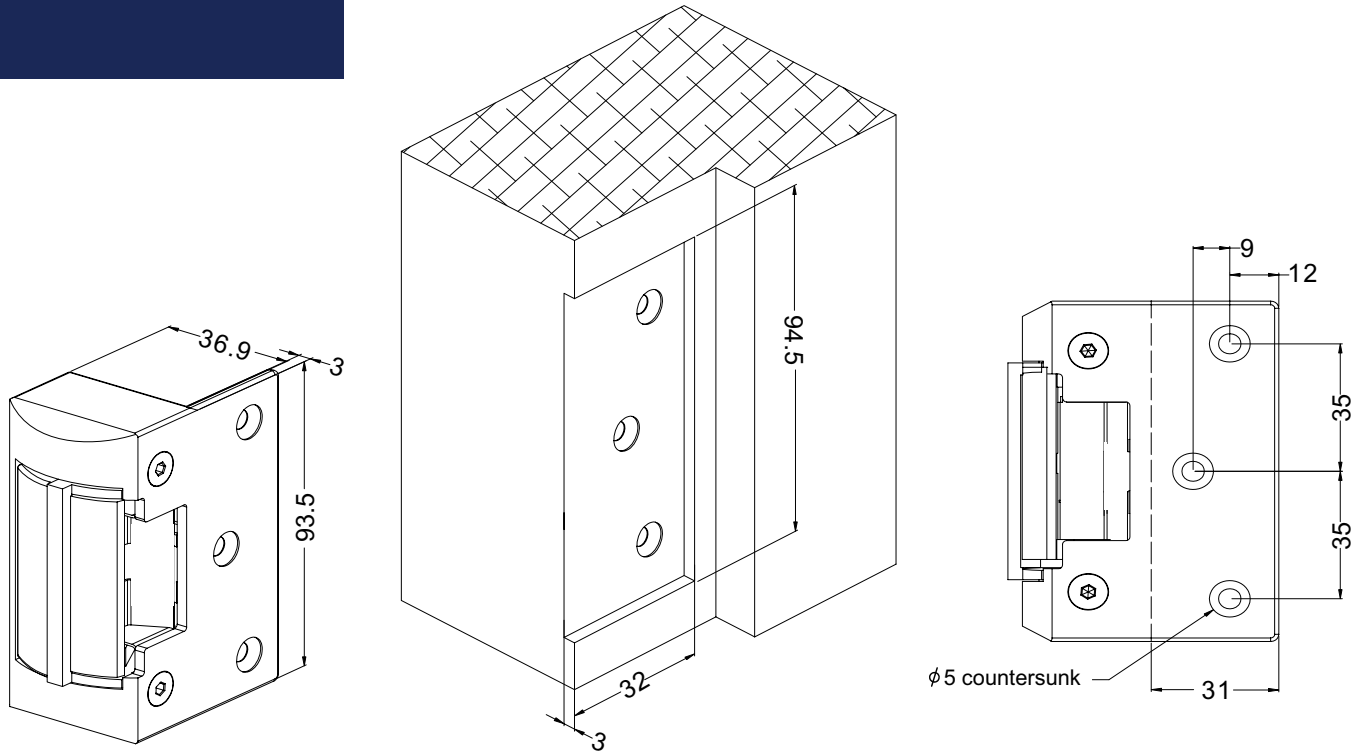
|                  |   |
|------------------|---|
| ES15             | WEATHER RESISTANT ELECTRIC STRIKE SURFACE MOUNTED       |
| HOLDING STRENGTH | UP TO 1200KG TESTED 1 MILLION CYCLES                    |
| VOLTAGE/CURRENT  | DUAL VOLTAGE 12/24VDC 12VDC = 200mA 24VDC = 100mA       |
| IP RATING        | IP56 WEATHER RESISTANT                                  |
| ENVIRONMENTAL    | OPERATIONAL TEMPERATURE RANGE - 20 DEG. C TO 60 DEG. C. |



# ES15 SERIES

Electric Strike Surface Mounted (RIM Mounted) Weather Resistant

## PRODUCT DIMENSIONS



## ES15 FACTS

- Weather Resistant (IP56)
- 5 year warranty
- Simple Power To Lock/Power To Release interchange
- Dual-Voltage: 12 or 24VDC

Dimensions (mm)

**LOX**<sup>®</sup>  
LOCKING

# Electro Magnetic Locks

# EM3500 SERIES

Single Door Monitored & Non Monitored

## EM3500 DESCRIPTION

The **LOX EM3500** Series product line is a comprehensive Electro Magnetic Lock range with up to **280kg** holding force. It is one of the most reliable and most successful Electro Magnetic Locks in the Australian market.

## THE MONITORED MAGNETIC LOCKS HAVE:

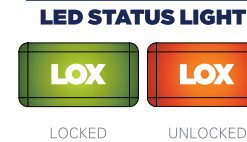
- A built-in Hall Effect Sensor for monitoring the lock/unlock status of the locking device (LSS – Lock Status Sensor)
- A built-in reed switch contact for monitoring the open/closed status of the door (DSS – Door Status Sensor)
- Highly visible red/green LED Status Light
- Anti-Tamper-Fixing-Plate (monitored version only) to avoid hostile attacks targeted on the dome-nut-fixing bolt of the Armature Plate




Monitored version pictured

**EM3500**  
NON MONITORED SINGLE ELECTRO MAGNETIC LOCK

**EM3500M**  
MONITORED SINGLE ELECTRO MAGNETIC LOCK



## SPECIFICATIONS

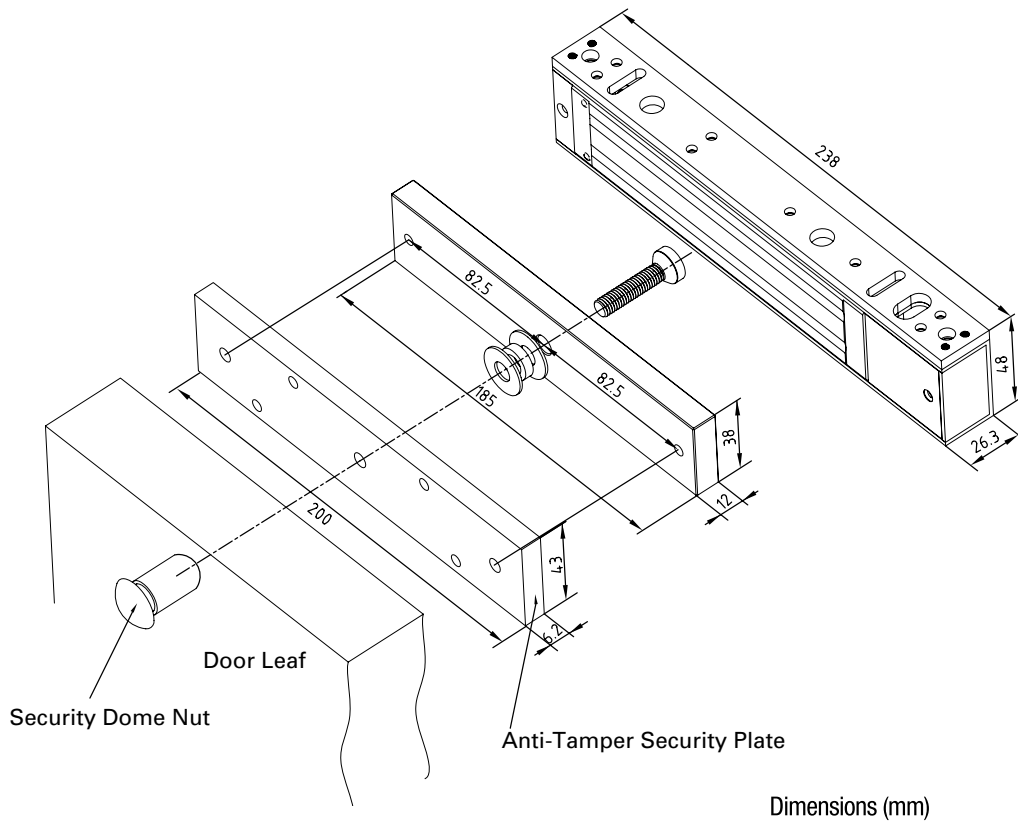
|                         |  |
|-------------------------|--|
| <b>EM3500</b>           | SINGLE ELECTRO MAGNETIC LOCK NON MONITORED   |
| <b>EM3500M</b>          | SINGLE ELECTRO MAGNETIC LOCK MONITORED   |
| <b>HOLDING STRENGTH</b> | UP TO 280KG, TESTED TO 1 MILLION CYCLES  |
| <b>VOLTAGE/CURRENT</b>  | DUAL VOLTAGE 12/24VDC 12VDC = 530mA 24VDC = 260mA  |
| <b>APPROVALS</b>        | UP TO 4 HOUR FIRE RATED TO A.S STANDARD, CE & C-TICK  |
| <b>LSS MONITORING</b>   | LSS LOCK STATUS SENSOR (HALL EFFECT)   |
| <b>DSS MONITORING</b>   | DOOR STATUS SENSOR (REED SWITCH)   |
| <b>LED LIGHT STATUS</b> | LED LIGHT STATUS INDICATES LOCKED OR UNLOCKED STATUS   |
| <b>ENVIRONMENTAL</b>    | OPERATIONAL TEMPERATURE RANGE - 20 DEG. C TO 60 DEG. C.  |



# EM3500 SERIES

Single Door Monitored & Non Monitored

## PRODUCT DIMENSIONS



Dimensions (mm)

## EM3500 FACTS

- Door and Lock Status monitoring Sensor (DSS & LSS with monitored models)
- Built-in varistor (MOV) surge protection
- CE/RCM Approvals
- Anti Tamper Mounting Plate (with "M" models)
- High visibility red/green Status Light Panel
- Lifetime warranty
- Up to 4 hour fire rated to AS Standard
- No residual magnetism

## ACCESSORIES



### EM3500MP

LOX MOUNTING PLATE FOR EM3500/M



### AMGB4-12

LOX U SHAPE ARMATURE HOLDER FOR GLASS DOORS EM3500/M & EM3500D/DM



### AMZB4-LP

LOX L & Z BRACKET FOR INWARDS OPENING DOORS EM3500/M & EM4700



### AMAB4

LOX ARMATURE HOLDER AND DRESS PLATE FOR GLASS DOORS EM3500/M



### AMFB4

LOX L-BRACKET FOR EM3500 SERIES

### AMLB4

LOX ADJUSTABLE L-BRACKET FOR EM3500 SERIES

**LOX**  
LOCKING

LOX LOCKING PTY LTD | [www.loxlocking.com.au](http://www.loxlocking.com.au)

**LOX**<sup>®</sup>

# EM3500D SERIES

Double Door Monitored & Non Monitored

## EM3500D DESCRIPTION

The **LOX EM3500D** Series product line is a comprehensive Electro Magnetic Lock range with up to **280kg** holding force. It is one of the most reliable and most successful Electro Magnetic Locks in the Australian market.

## THE MONITORED MAGNETIC LOCKS HAVE:

- A built-in Hall Effect Sensor for monitoring the lock/unlock status of the locking device (LSS – Lock Status Sensor)
- A built-in reed switch contact for monitoring the open/closed status of the door (DSS – Door Status Sensor)
- Highly visible red/green LED Status Light
- Anti-Tamper-Fixing-Plate (monitored version only) to avoid hostile attacks targeted on the dome-nut-fixing bolt of the Armature Plate



Monitored version pictured

**EM3500D**  
NON MONITORED DOUBLE ELECTRO MAGNETIC LOCK

**EM3500DM**  
MONITORED DOUBLE ELECTRO MAGNETIC LOCK


### DUAL LED STATUS LIGHT



LOCKED

UNLOCKED

## SPECIFICATIONS

|                         |  |
|-------------------------|--|
| <b>EM3500D</b>          | DOUBLE ELECTRO MAGNETIC LOCK NON MONITORED   |
| <b>EM3500DM</b>         | DOUBLE ELECTRO MAGNETIC LOCK MONITORED   |
| <b>HOLDING STRENGTH</b> | UP TO 280KG, TESTED TO 1 MILLION CYCLES  |
| <b>VOLTAGE/CURRENT</b>  | DUAL VOLTAGE 12/24VDC 12VDC = 530mA X 2 24VDC = 260mA X 2  |
| <b>APPROVALS</b>        | UP TO 4 HOUR FIRE RATED TO A.S STANDARD, CE & C-TICK  |
| <b>LSS MONITORING</b>   | LSS LOCK STATUS SENSOR (HALL EFFECT)   |
| <b>DSS MONITORING</b>   | DOOR STATUS SENSOR (REED SWITCH)   |
| <b>LED LIGHT STATUS</b> | LED LIGHT STATUS INDICATES LOCKED OR UNLOCKED STATUS   |
| <b>ENVIRONMENTAL</b>    | OPERATIONAL TEMPERATURE RANGE - 20 DEG. C TO 60 DEG. C.  |

**LOX**  
LOCKING

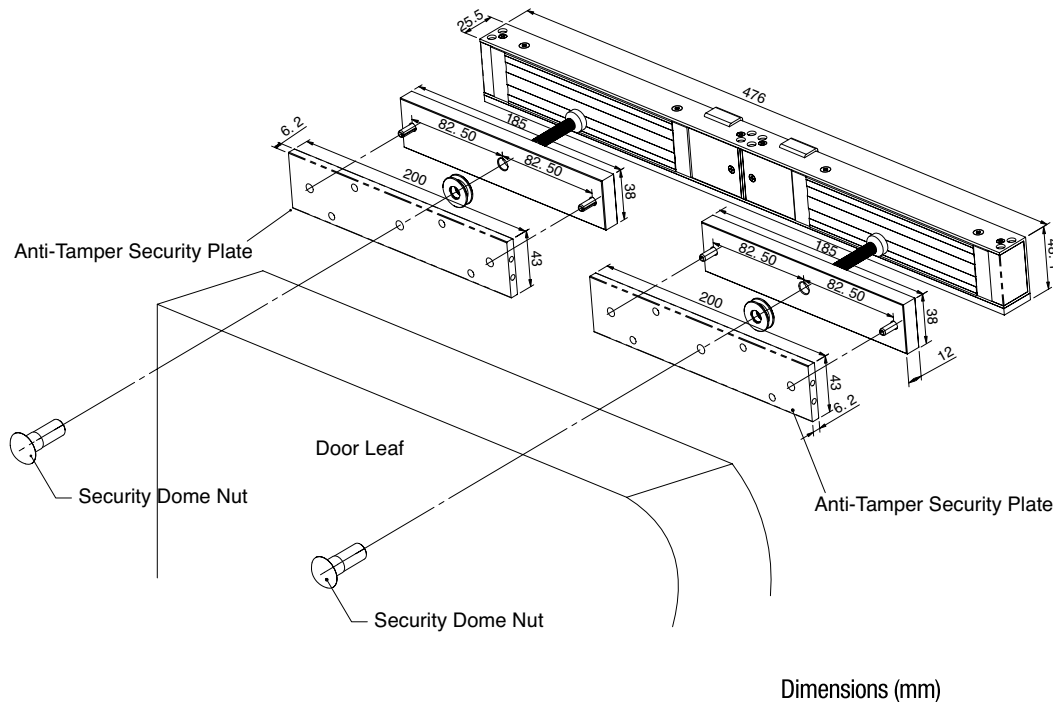
LOX LOCKING PTY LTD | www.loxlocking.com.au

**LOX**<sup>®</sup>

# EM3500D SERIES

Double Door Monitored & Non Monitored

## PRODUCT DIMENSIONS



## EM3500D FACTS

- Door and Lock Status monitoring Sensor (DSS & LSS with monitored models)
- Built-in varistor (MOV) surge protection
- CE/RCM Approvals
- Anti Tamper Mounting Plate (with "M" models)
- High visibility red/green Status Light Panel
- Lifetime warranty
- Up to 4 hour fire rated to AS Standard
- No residual magnetism

## ACCESSORIES



### EM3500D-MP

LOX MOUNTING PLATE FOR EM3500D/DM



### AMGB4-12

LOX U SHAPE ARMATURE HOLDER FOR GLASS DOORS EM3500/M & EM3500D/DM



### AMZB4D-LP

LOX L & Z BRACKET FOR INWARDS OPENING DOORS EM3500D/DM



### AMAB4

LOX ARMATURE HOLDER AND DRESS PLATE FOR GLASS DOORS EM3500/M



### AMFB4

LOX L-BRACKET FOR EM3500 SERIES

### AMLB4

LOX ADJUSTABLE L-BRACKET FOR EM3500 SERIES

**LOX**  
LOCKING

LOX LOCKING PTY LTD | www.loxlocking.com.au

**LOX**<sup>®</sup>

# EM5700 SERIES

Single Door Monitored & Non Monitored

## EM5700 DESCRIPTION

The **LOX EM5700** Series product line is a comprehensive Electro Magnetic Lock range with up to **580kg** holding force. It is one of the most reliable and most successful Electro Magnetic Locks in the Australian market in this product category.

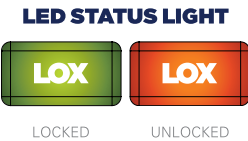
## THE MONITORED MAGNETIC LOCKS HAVE:

- A built-in Hall Effect Sensor for monitoring the lock/unlock status of the locking device (LSS – Lock Status Sensor)
- A built-in reed switch contact for monitoring the open/closed status of the door (DSS – Door Status Sensor)
- Highly visible red/green LED Status Light
- Anti-Tamper-Fixing-Plate (with monitored version) to avoid hostile attacks targeted on the dome-nut-fixing bolt of the Armature Plate




**EM5700**  
NON MONITORED SINGLE ELECTRO MAGNETIC LOCK

**EM5700M**  
MONITORED SINGLE ELECTRO MAGNETIC LOCK



## SPECIFICATIONS

|                         |  |
|-------------------------|--|
| <b>EM5700</b>           | SINGLE ELECTRO MAGNETIC LOCK NON MONITORED   |
| <b>EM5700M</b>          | SINGLE ELECTRO MAGNETIC LOCK MONITORED   |
| <b>HOLDING STRENGTH</b> | UP TO 580KG, TESTED TO 1 MILLION CYCLES  |
| <b>VOLTAGE/CURRENT</b>  | DUAL VOLTAGE 12/24VDC 12VDC = 500mA 24VDC = 260mA  |
| <b>APPROVALS</b>        | UP TO 4 HOUR FIRE RATED TO A.S STANDARD, CE & C-TICK  |
| <b>LSS MONITORING</b>   | LSS LOCK STATUS SENSOR (HALL EFFECT)   |
| <b>DSS MONITORING</b>   | DOOR STATUS SENSOR (REED SWITCH)   |
| <b>LED LIGHT STATUS</b> | LED LIGHT STATUS INDICATES LOCKED OR UNLOCKED STATUS   |
| <b>ENVIRONMENTAL</b>    | OPERATIONAL TEMPERATURE RANGE - 20 DEG. C TO 60 DEG. C.  |

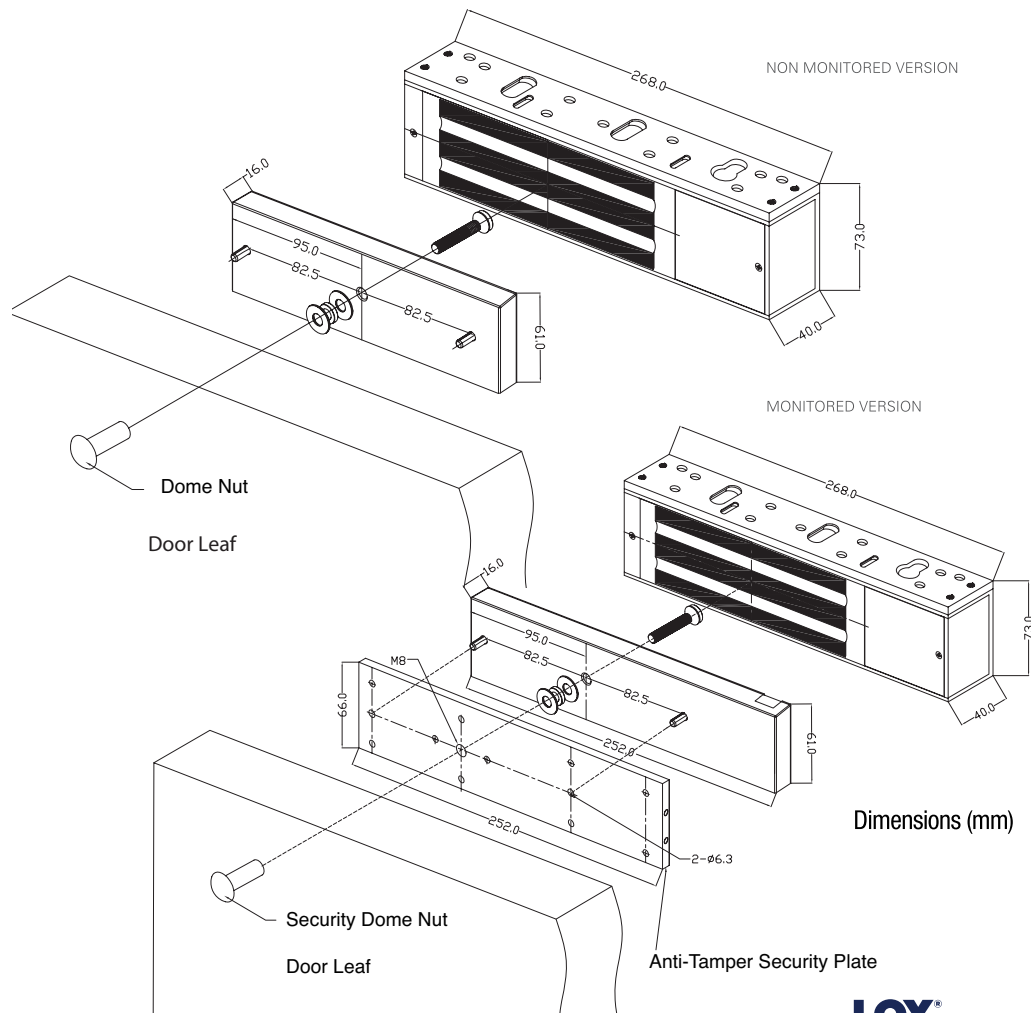




# EM5700 SERIES

Single Door Monitored & Non Monitored

## PRODUCT DIMENSIONS



**LOX**  
LOCKING

LOX LOCKING PTY LTD | www.loxlocking.com.au

## ACCESSORIES



### EM5700MP

LOX MOUNTING PLATE FOR EM5700/M



### AMGB1-12

LOX U SHAPE ARMATURE HOLDER FOR GLASS DOORS SUITS EM5700 NON MONITORED

### AMGB1-12-DSS

LOX U SHAPE ARMATURE HOLDER FOR GLASS DOORS SUITS EM5700M MONITORED



### AMZB1-LP

LOX L & Z BRACKET FOR INWARDS OPENING DOORS SUITS EM5700

### AMZB1-LP-DSS

LOX L & Z BRACKET FOR INWARDS OPENING DOORS SUITS EM5700M



### AMAB1

LOX ARMATURE HOLDER AND DRESS PLATE FOR GLASS DOORS SUITS EM5700

### AMAB1-DSS

LOX ARMATURE HOLDER AND DRESS PLATE FOR GLASS DOORS SUITS EM5700M



### AMFB1

LOX L BRACKET FOR SUITS EM5700 SERIES

### AMLB1

LOX ADJUSTABLE L BRACKET SUITS EM5700 SERIES

**LOX**<sup>®</sup>

# EM5700D SERIES

Double Door Monitored & Non Monitored

## EM5700 DESCRIPTION

The **LOX EM5700D** Series product line is a comprehensive Electro Magnetic Lock range with up to **580kg** holding force. It is one of the most reliable and most successful Electro Magnetic Locks in the Australian market in this product category.

## THE MONITORED MAGNETIC LOCKS HAVE:

- A built-in Hall Effect Sensor for monitoring the lock/unlock status of the locking device (LSS – Lock Status Sensor)
- A built-in reed switch contact for monitoring the open/closed status of the door (DSS – Door Status Sensor)
- Highly visible red/green LED Status Light
- Anti-Tamper-Fixing-Plate (with monitored version) to avoid hostile attacks targeted on the dome-nut-fixing bolt of the Armature Plate



**EM5700D**  
NON MONITORED DOUBLE ELECTRO MAGNETIC LOCK

**EM5700DM**  
MONITORED DOUBLE ELECTRO MAGNETIC LOCK


### DUAL LED STATUS LIGHT



LOCKED

UNLOCKED

## SPECIFICATIONS

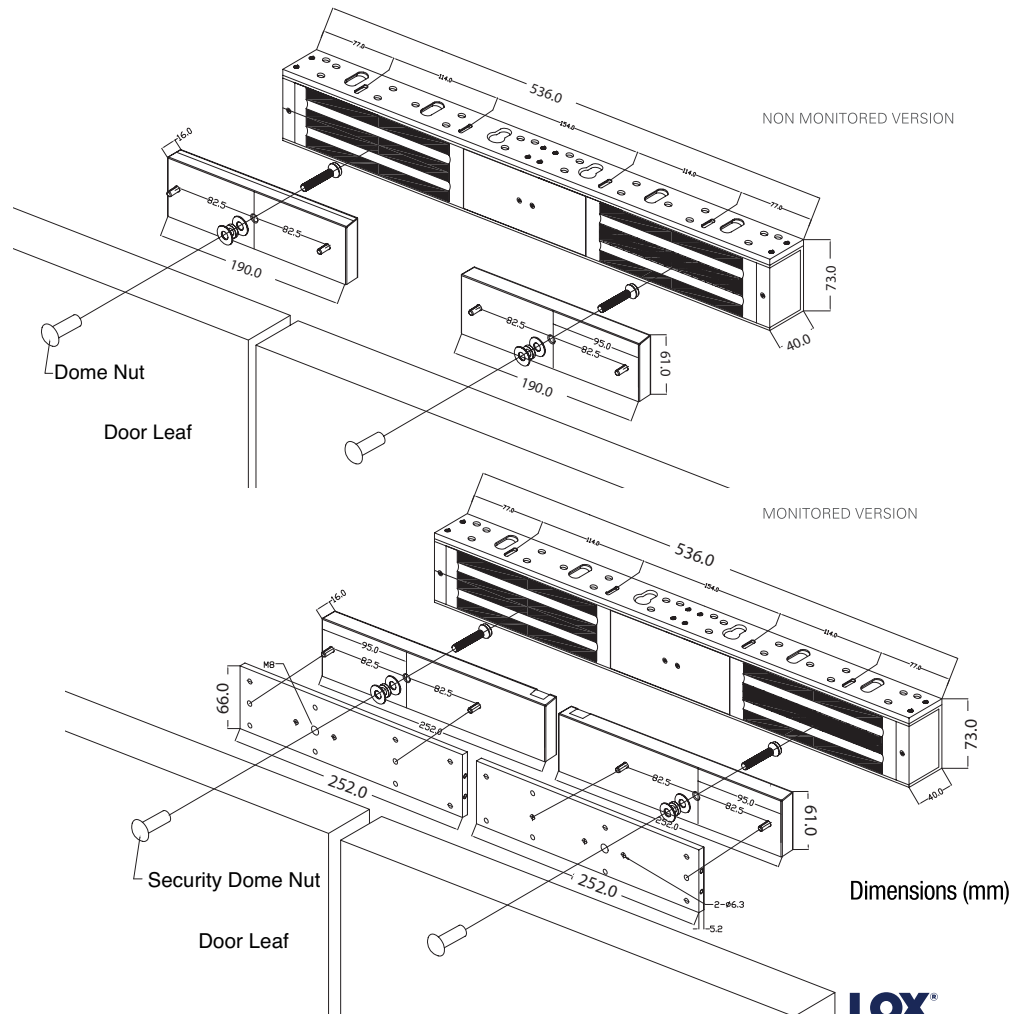
|                         |  |
|-------------------------|--|
| <b>EM5700D</b>          | DOUBLE ELECTRO MAGNETIC LOCK NON MONITORED   |
| <b>EM5700DM</b>         | DOUBLE ELECTRO MAGNETIC LOCK MONITORED   |
| <b>HOLDING STRENGTH</b> | UP TO 580KG, TESTED TO 1 MILLION CYCLES  |
| <b>VOLTAGE/CURRENT</b>  | DUAL VOLTAGE 12/24VDC 12VDC = 500mA X 2 24VDC = 260mA X 2  |
| <b>APPROVALS</b>        | UP TO 4 HOUR FIRE RATED TO A.S STANDARD, CE & C-TICK  |
| <b>LSS MONITORING</b>   | LSS LOCK STATUS SENSOR (HALL EFFECT)   |
| <b>DSS MONITORING</b>   | DOOR STATUS SENSOR (REED SWITCH)   |
| <b>LED LIGHT STATUS</b> | LED LIGHT STATUS INDICATES LOCKED OR UNLOCKED STATUS   |
| <b>ENVIRONMENTAL</b>    | OPERATIONAL TEMPERATURE RANGE - 20 DEG. C TO 60 DEG. C.  |



# EM5700D SERIES

Double Door Monitored & Non Monitored

## PRODUCT DIMENSIONS



Dimensions (mm)

**LOX**  
LOCKING

LOX LOCKING PTY LTD | www.loxlocking.com.au

## ACCESSORIES



### EM5700DMP

LOX MOUNTING PLATE FOR EM5700D/DM



### AMGB1-12

LOX U SHAPE ARMATURE HOLDER FOR GLASS DOORS SUITS EM5700D NON MONITORED

### AMGB1-12-DSS

LOX U SHAPE ARMATURE HOLDER FOR GLASS DOORS SUITS EM5700DM MONITORED



### AMZB1DLP

LOX L & Z BRACKET FOR INWARDS OPENING DOORS SUITS EM5700D

### AMZB1D-LP-DSS

LOX L & Z BRACKET FOR INWARDS OPENING DOORS SUITS EM5700DM



### AMAB1

LOX ARMATURE HOLDER AND DRESS PLATE FOR GLASS DOORS SUITS EM5700D

### AMAB1-DSS

LOX ARMATURE HOLDER AND DRESS PLATE FOR GLASS DOORS SUITS EM5700DM



### AMFB1

LOX L BRACKET FOR SUITS EM5700 SERIES

### AMLB1

LOX ADJUSTABLE L BRACKET SUITS EM5700 SERIES

**LOX**<sup>®</sup>

# EM3500M-BLK

Single Door Monitored

## EM3500M-BLK DESCRIPTION

The **LOX EM3500M-BLK** Black Anodised Series product line is a comprehensive Electro Magnetic Lock range with up to **280kg** holding force. It is one of the most reliable and most successful Electro Magnetic Locks in the Australian market.

## THE MONITORED MAGNETIC LOCKS HAVE:

- A built-in Hall Effect Sensor for monitoring the lock/unlock status of the locking device (LSS – Lock Status Sensor)
- A built-in reed switch contact for monitoring the open/closed status of the door (DSS – Door Status Sensor)
- Highly visible red/green LED Status Light
- Anti-Tamper-Fixing-Plate (monitored version only) to avoid hostile attacks targeted on the dome-nut-fixing bolt of the Armature Plate



**EM3500M-BLK**  
MONITORED SINGLE ELECTRO MAGNETIC LOCK


**LED STATUS LIGHT**



LOCKED

UNLOCKED

## SPECIFICATIONS

|                         |  |
|-------------------------|--|
| <b>EM3500M-BLK</b>      | SINGLE ELECTRO MAGNETIC LOCK MONITORED   |
| <b>HOLDING STRENGTH</b> | UP TO 280KG, TESTED TO 1 MILLION CYCLES  |
| <b>VOLTAGE/CURRENT</b>  | DUAL VOLTAGE 12/24VDC 12VDC = 530mA 24VDC = 260mA  |
| <b>APPROVALS</b>        | UP TO 4 HOUR FIRE RATED TO A.S STANDARD, CE & C-TICK  |
| <b>LSS MONITORING</b>   | LSS LOCK STATUS SENSOR (HALL EFFECT)   |
| <b>DSS MONITORING</b>   | DOOR STATUS SENSOR (REED SWITCH)   |
| <b>LED LIGHT STATUS</b> | LED LIGHT STATUS INDICATES LOCKED OR UNLOCKED STATUS   |
| <b>ENVIRONMENTAL</b>    | OPERATIONAL TEMPERATURE RANGE - 20 DEG. C TO 60 DEG. C.  |

**LOX**  
LOCKING

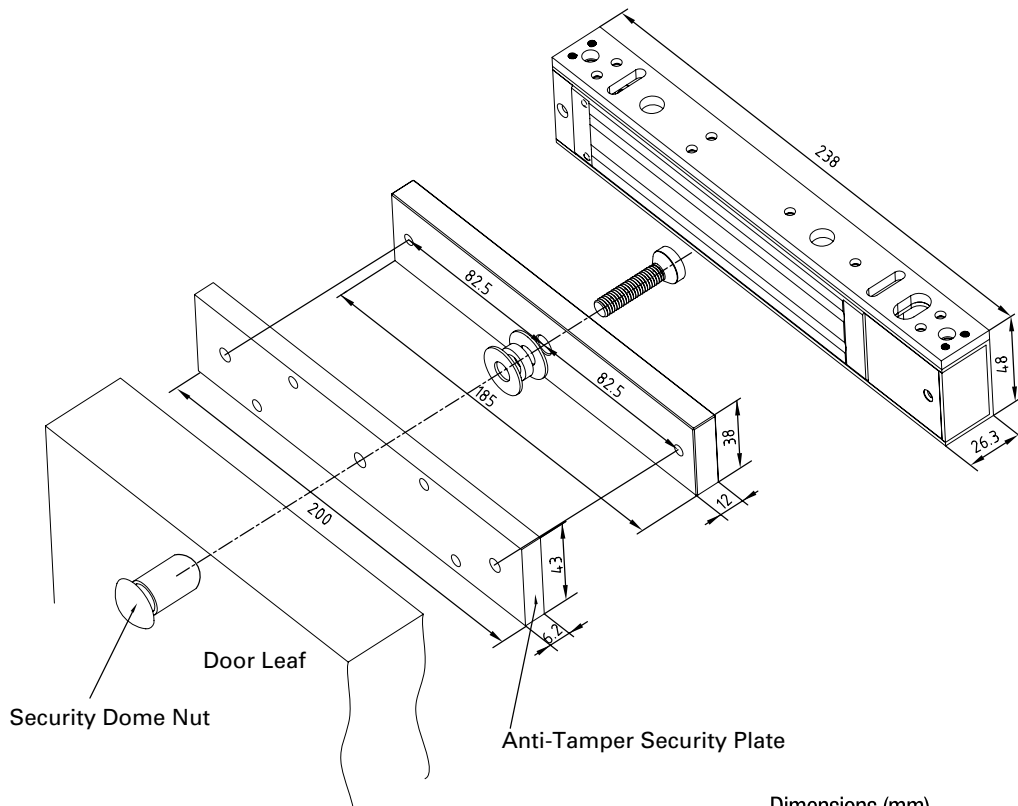
LOX LOCKING PTY LTD | [www.loxlocking.com.au](http://www.loxlocking.com.au)

**LOX**  
BLK

# EM3500M-BLK

Single Door Monitored

## PRODUCT DIMENSIONS



## EM3500M-BLK FACTS

- Black Anodised Body
- Door and Lock Status monitoring Sensor (DSS & LSS with monitored models)
- Built-in varistor (MOV) surge protection
- CE/RCM Approvals
- Anti Tamper Mounting Plate (with "M" models)
- High visibility red/green Status Light Panel
- Lifetime warranty
- Up to 4 hour fire rated to AS Standard
- No residual magnetism

## ACCESSORIES



### EM3500-MP-BLK

LOX MOUNTING PLATE FOR EM3500BLK



### AMGB4-12-BLK (ON REQUEST)

LOX U SHAPE ARMATURE HOLDER FOR GLASS DOORS EM3500BLK & EM3500DBLK



### AMZB4-BLK

LOX L & Z BRACKET FOR INWARDS OPENING DOORS EM3500BLK



### AMAB4-BLK (ON REQUEST)

LOX ARMATURE HOLDER AND DRESS PLATE FOR GLASS DOORS EM3500BLK

# EM3500DM-BLK

Double Door Monitored

## EM3500DM-BLK DESCRIPTION

The **LOX EM3500DM-BLK** Black Anodised Series product line is a comprehensive Electro Magnetic Lock range with up to **280kg** holding force. It is one of the most reliable and most successful Electro Magnetic Locks in the Australian market.

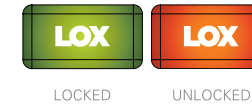
## THE MONITORED MAGNETIC LOCKS HAVE:

- A built-in Hall Effect Sensor for monitoring the lock/unlock status of the locking device (LSS – Lock Status Sensor)
- A built-in reed switch contact for monitoring the open/closed status of the door (DSS – Door Status Sensor)
- Highly visible red/green LED Status Light
- Anti-Tamper-Fixing-Plate (monitored version only) to avoid hostile attacks targeted on the dome-nut-fixing bolt of the Armature Plate




**EM3500DM-BLK**  
MONITORED DOUBLE ELECTRO MAGNETIC LOCK

### DUAL LED STATUS LIGHT



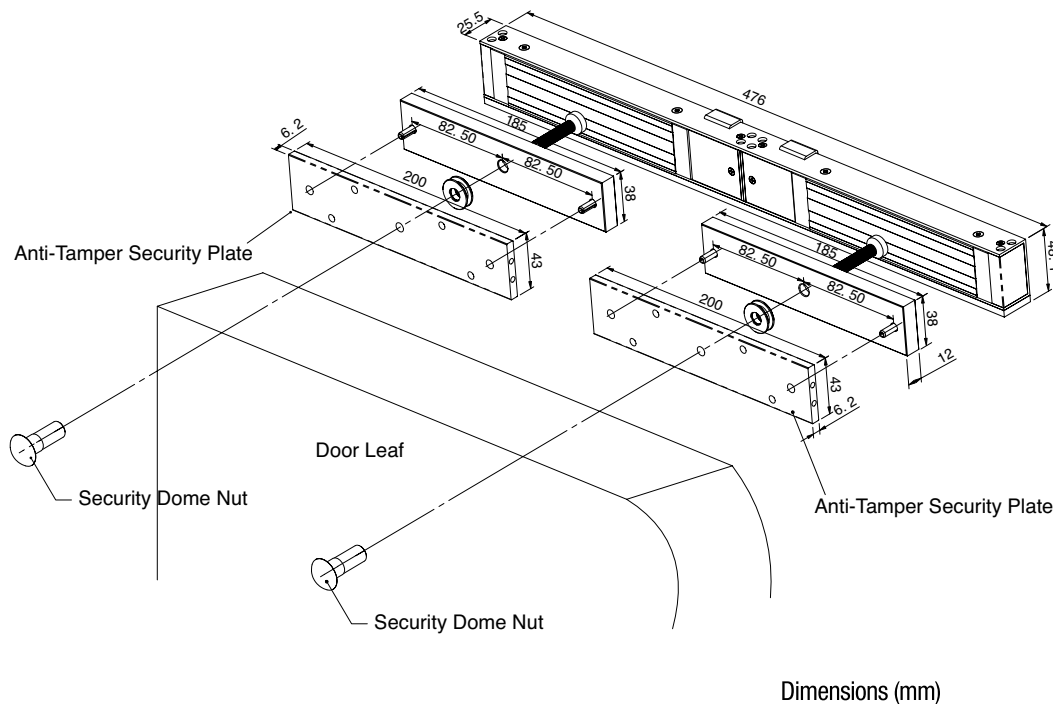
## SPECIFICATIONS

|                         |  |
|-------------------------|--|
| <b>EM3500DM-BLK</b>     | DOUBLE ELECTRO MAGNETIC LOCK MONITORED   |
| <b>HOLDING STRENGTH</b> | UP TO 280KG, TESTED TO 1 MILLION CYCLES  |
| <b>VOLTAGE/CURRENT</b>  | DUAL VOLTAGE 12/24VDC 12VDC = 530mA X 2 24VDC = 260mA X 2  |
| <b>APPROVALS</b>        | UP TO 4 HOUR FIRE RATED TO A.S STANDARD, CE & C-TICK  |
| <b>LSS MONITORING</b>   | LSS LOCK STATUS SENSOR (HALL EFFECT)   |
| <b>DSS MONITORING</b>   | DOOR STATUS SENSOR (REED SWITCH)   |
| <b>LED LIGHT STATUS</b> | LED LIGHT STATUS INDICATES LOCKED OR UNLOCKED STATUS   |
| <b>ENVIRONMENTAL</b>    | OPERATIONAL TEMPERATURE RANGE - 20 DEG. C TO 60 DEG. C.  |

# EM3500DM-BLK

Double Door Monitored

## PRODUCT DIMENSIONS



## EM3500DM-BLK FACTS

- Black Anodised Body
- Door and Lock Status monitoring Sensor (DSS & LSS with monitored models)
- Built-in varistor (MOV) surge protection
- CE/RCM Approvals
- Anti Tamper Mounting Plate (with "M" models)
- High visibility red/green Status Light Panel
- Lifetime warranty
- Up to 4 hour fire rated to AS Standard
- No residual magnetism

## ACCESSORIES



### EM3500D-MP-BLK

LOX MOUNTING PLATE FOR EM3500DBLK



### AMGB4-12-BLK

LOX U SHAPE ARMATURE HOLDER FOR GLASS DOORS EM3500BLK & EM3500DBLK



### AMZB4D-BLK

LOX L & Z BRACKET FOR INWARDS OPENING DOORS EM3500DBLK



### AMAB4-BLK

LOX ARMATURE HOLDER AND DRESS PLATE FOR GLASS DOORS EM3500BLK

**LOX**  
LOCKING

LOX LOCKING PTY LTD | www.loxlocking.com.au

**LOX**  
BLK

# EM5700M-BLK

Single Door Monitored

## EM5700M-BLK DESCRIPTION

The **LOX EM5700M-BLK** Black Anodised Series product line is a comprehensive Electro Magnetic Lock range with up to **580kg** holding force. It is one of the most reliable and most successful Electro Magnetic Locks in the Australian market.

## THE MONITORED MAGNETIC LOCKS HAVE:

- A built-in Hall Effect Sensor for monitoring the lock/unlock status of the locking device (LSS – Lock Status Sensor)
- A built-in reed switch contact for monitoring the open/closed status of the door (DSS – Door Status Sensor)
- Highly visible red/green LED Status Light
- Anti-Tamper-Fixing-Plate (with monitored version) to avoid hostile attacks targeted on the dome-nut-fixing bolt of the Armature Plate



**EM5700M-BLK**  
MONITORED SINGLE ELECTRO MAGNETIC LOCK


### LED STATUS LIGHT



LOCKED

UNLOCKED

## SPECIFICATIONS

|                  |  |
|------------------|--|
| EM5700M-BLK      | SINGLE ELECTRO MAGNETIC LOCK MONITORED   |
| HOLDING STRENGTH | UP TO 580KG, TESTED TO 1 MILLION CYCLES  |
| VOLTAGE/CURRENT  | DUAL VOLTAGE 12/24VDC 12VDC = 500mA 24VDC = 260mA  |
| APPROVALS        | UP TO 4 HOUR FIRE RATED TO A.S STANDARD, CE & C-TICK  |
| LSS MONITORING   | LSS LOCK STATUS SENSOR (HALL EFFECT)   |
| DSS MONITORING   | DOOR STATUS SENSOR (REED SWITCH)   |
| LED LIGHT STATUS | LED LIGHT STATUS INDICATES LOCKED OR UNLOCKED STATUS   |
| ENVIRONMENTAL    | OPERATIONAL TEMPERATURE RANGE - 20 DEG. C TO 60 DEG. C.  |

**LOX**  
LOCKING

LOX LOCKING PTY LTD | [www.loxlocking.com.au](http://www.loxlocking.com.au)

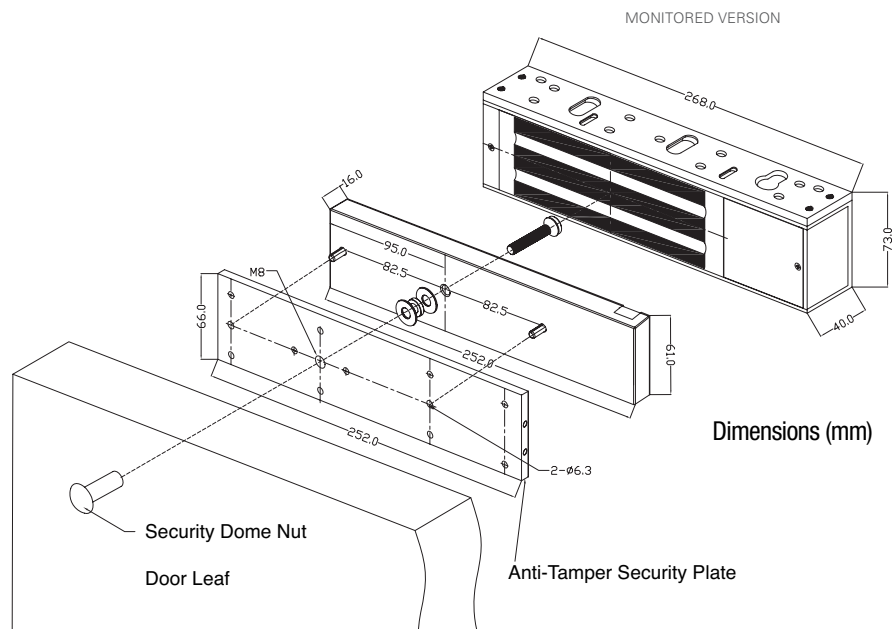
**LOX**  
BLK



# EM5700M-BLK

Single Door Monitored

## PRODUCT DIMENSIONS



## EM5700M-BLK FACTS

- Black Anodised Body
- Door and Lock Status monitoring Sensor (DSS & LSS with monitored models)
- Built-in varistor (MOV) surge protection
- CE/RCM Approvals
- Anti Tamper Mounting Plate
- High visibility red/green Status Light Panel
- Lifetime warranty
- Up to 4 hour fire rated to AS Standard
- No residual magnetism

## ACCESSORIES



### EM5700-MP-BLK

LOX MOUNTING PLATE FOR EM5700M-BLK



### AMGB1-12-BLK (ON REQUEST)

LOX U SHAPE ARMATURE HOLDER FOR GLASS DOORS EM5700M-BLK & EM5700DM-BLK



### AMZB1-DSS-BLK

LOX L & Z BRACKET FOR INWARDS OPENING DOORS EM5700BLK



### AMAB1-DSS-BLK (ON REQUEST)

LOX ARMATURE HOLDER AND DRESS PLATE FOR GLASS DOORS EM5700M-BLK & EM5700DM-BLK

# EM5700DM-BLK

Double Door Monitored

## EM5700DM-BLK DESCRIPTION

The **LOX EM5700DM-BLK** Black Anodised Series product line is a comprehensive Electro Magnetic Lock range with up to **580kg** holding force. It is one of the most reliable and most successful Electro Magnetic Locks in the Australian market.

## THE MONITORED MAGNETIC LOCKS HAVE:

- A built-in Hall Effect Sensor for monitoring the lock/unlock status of the locking device (LSS – Lock Status Sensor)
- A built-in reed switch contact for monitoring the open/closed status of the door (DSS – Door Status Sensor)
- Highly visible red/green LED Status Light
- Anti-Tamper-Fixing-Plate (with monitored version) to avoid hostile attacks targeted on the dome-nut-fixing bolt of the Armature Plate



**EM5700DM-BLK**  
MONITORED DOUBLE ELECTRO MAGNETIC LOCK


### DUAL LED STATUS LIGHT



LOCKED

UNLOCKED

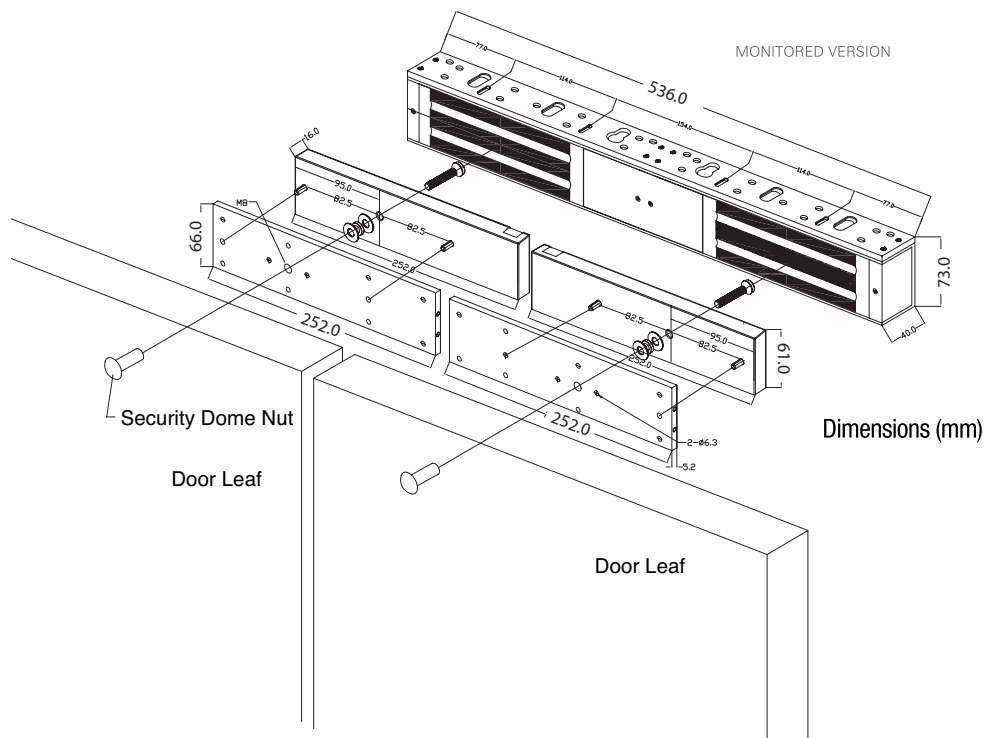
## SPECIFICATIONS

|                         |  |
|-------------------------|--|
| <b>EM5700DM-BLK</b>     | DOUBLE ELECTRO MAGNETIC LOCK MONITORED   |
| <b>HOLDING STRENGTH</b> | UP TO 580KG, TESTED TO 1 MILLION CYCLES  |
| <b>VOLTAGE/CURRENT</b>  | DUAL VOLTAGE 12/24VDC 12VDC = 500mA X 2 24VDC = 260mA X 2  |
| <b>APPROVALS</b>        | UP TO 4 HOUR FIRE RATED TO A.S STANDARD, CE & C-TICK  |
| <b>LSS MONITORING</b>   | LSS LOCK STATUS SENSOR (HALL EFFECT)   |
| <b>DSS MONITORING</b>   | DOOR STATUS SENSOR (REED SWITCH)   |
| <b>LED LIGHT STATUS</b> | LED LIGHT STATUS INDICATES LOCKED OR UNLOCKED STATUS   |
| <b>ENVIRONMENTAL</b>    | OPERATIONAL TEMPERATURE RANGE - 20 DEG. C TO 60 DEG. C.  |

# EM5700DM-BLK

Double Door Monitored

## PRODUCT DIMENSIONS



## EM5700DM-BLK FACTS

- Black Anodised Body
- Door and Lock Status monitoring Sensor (DSS & LSS with monitored models)
- Built-in varistor (MOV) surge protection
- CE/RCM Approvals
- Anti Tamper Mounting Plate
- High visibility red/green Status Light Panel
- Lifetime warranty
- Up to 4 hour fire rated to AS Standard
- No residual magnetism

## ACCESSORIES



### EM5700D-MP-BLK

LOX MOUNTING PLATE FOR EM5700DBLK



### AMGB1-12-DSS-BLK (ON REQUEST)

LOX U SHAPE ARMATURE HOLDER FOR GLASS DOORS EM5700BLK & EM5700DBLK



### AMZB1D-DSS-BLK

LOX L & Z BRACKET FOR INWARDS OPENING DOORS EM5700DBLK



### AMAB1-DSS-BLK (ON REQUEST)

LOX ARMATURE HOLDER AND DRESS PLATE FOR GLASS DOORS EM5700BLK & EM5700DBLK

**LOX**  
LOCKING

LOX LOCKING PTY LTD | www.loxlocking.com.au

**LOX**  
BLK

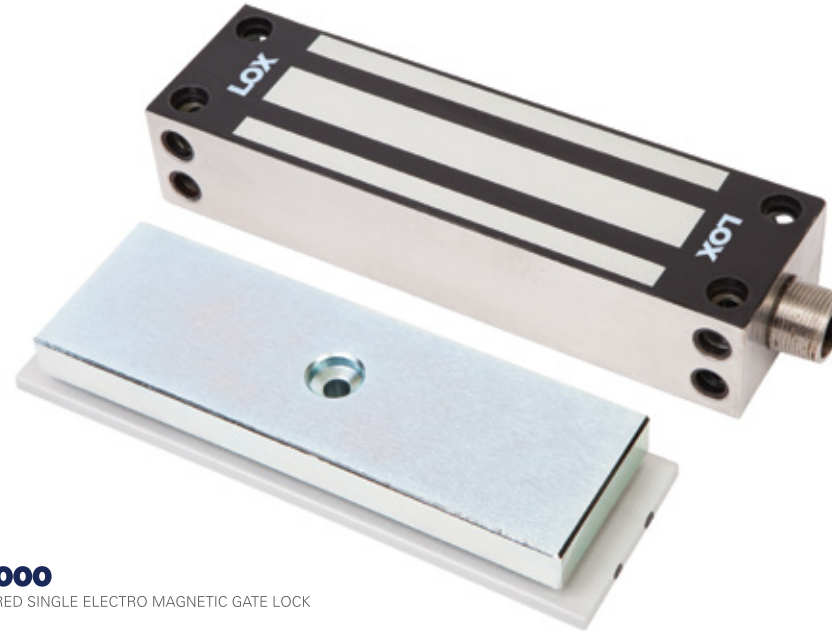
# EM5000

Weather Resistant Electro Magnetic Gate Lock

## EM5000 DESCRIPTION



The **LOX EM5000** has been designed with a fully enclosed stainless-steel housing. It is the most reliable solution for true external applications exposed to wind and weather. The **EM5000** lock is **IP67** rated and a proven locking solution in the harshest environments around Australia such as surf-lifesaving clubhouses and the like. It has a high holding force of up to **630kg** a dual fixing arrangement (front and header mount), a built-in varistor surge protection and accepts dual voltage of 12VDC and 24VDC.

The **EM5000** Electro Magnetic Gate Lock has a Lock Status (LSS) monitoring feature by Hall-Effect and comes with a Lifetime Warranty. An Anti-Tamper-Mounting-Plate to prevent hostile attacks on the dome-nut-fixing bolt comes as standard.



**EM5000**  
MONITORED SINGLE ELECTRO MAGNETIC GATE LOCK

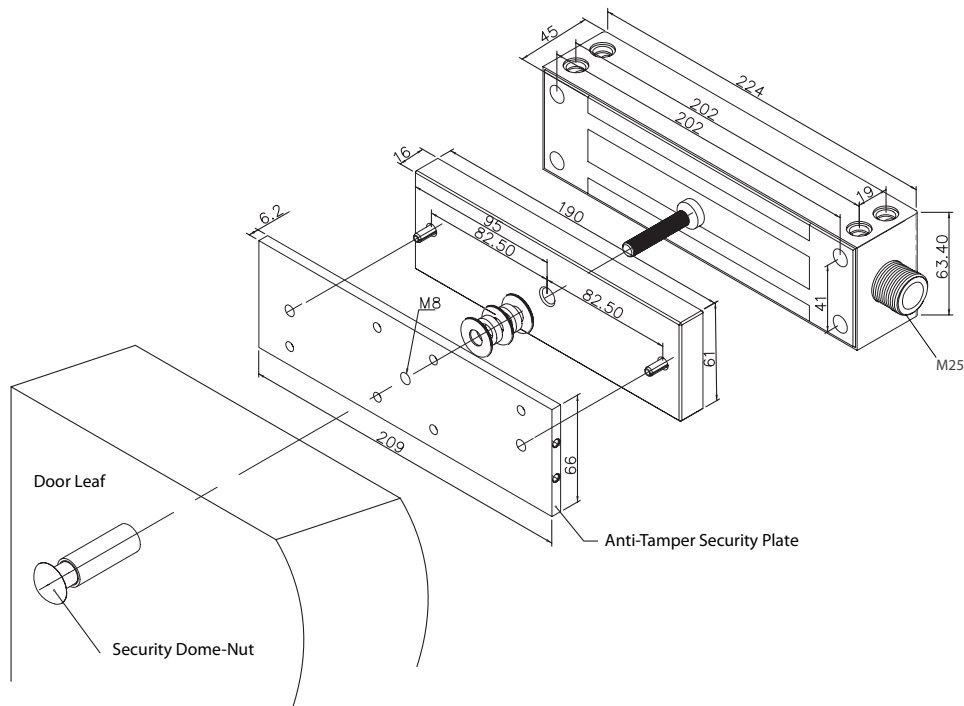
## SPECIFICATIONS

|                         |   |
|-------------------------|---|
| <b>EM5000</b>           | SINGLE ELECTRO MAGNETIC GATE LOCK MONITORED   |
| <b>HOLDING STRENGTH</b> | UP TO 630KG   |
| <b>VOLTAGE/CURRENT</b>  | DUAL VOLTAGE 12/24VDC 12VDC = 480mA 24VDC = 240mA   |
| <b>APPROVALS</b>        | CE & C-TICK   |
| <b>LSS MONITORING</b>   | LSS LOCK STATUS SENSOR (HALL EFFECT)  |
| <b>ENVIRONMENTAL</b>    | IP67 RATED, OPERATIONAL TEMPERATURE RANGE - 20 DEG. C TO 60 DEG. C.   |

# EM5000

Weather Resistant Electro Magnetic Gate Lock

## PRODUCT DIMENSIONS



Dimensions (mm)

## EM5000 FACTS

- Up to 630kg holding force
- Lock Status monitoring Sensor (LSS)
- Stainless 304 steel body housing
- Weather resistant IP67
- Lifetime warranty
- Anti-Tamper Mounting Plate
- CE/RCM
- No residual magnetism

## ACCESSORIES



### AMGB1-12

LOX U SHAPE ARMATURE HOLDER FOR GLASS DOORS  
EM5000 & EM5700



### AMZB1-LP

LOX L & Z BRACKET FOR INWARDS OPENING DOORS  
EM5000 & EM5700

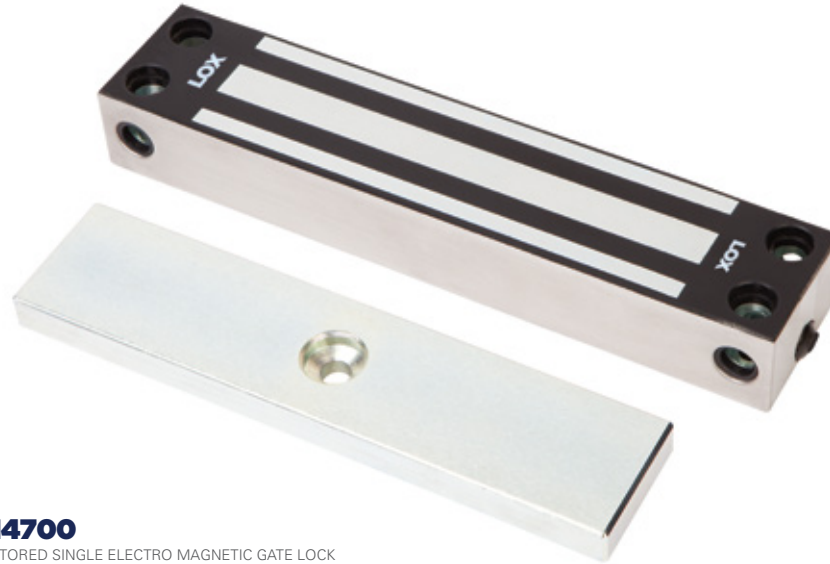
# EM4700

Weather Resistant Electro Magnetic Gate Lock

## EM4700 DESCRIPTION



The **LOX EM4700** has been designed with a fully enclosed stainless-steel housing. It is one of the most reliable locking devices for true external applications exposed to wind and weather. The **EM4700** lock is **IP67** rated and a proven locking solution in the harshest environments around Australia such as surf-lifesaving clubhouses and the like. It has a holding force of up to **380kg** a dual fixing arrangement (front and header mount), a built-in varistor surge protection and accepts dual voltage of 12VDC and 24VDC.

The **EM4700** Electro Magnetic Gate Lock has a Lock Status (LSS) monitoring feature by Hall-Effect and comes with a Lifetime Warranty.



**EM4700**  
MONITORED SINGLE ELECTRO MAGNETIC GATE LOCK

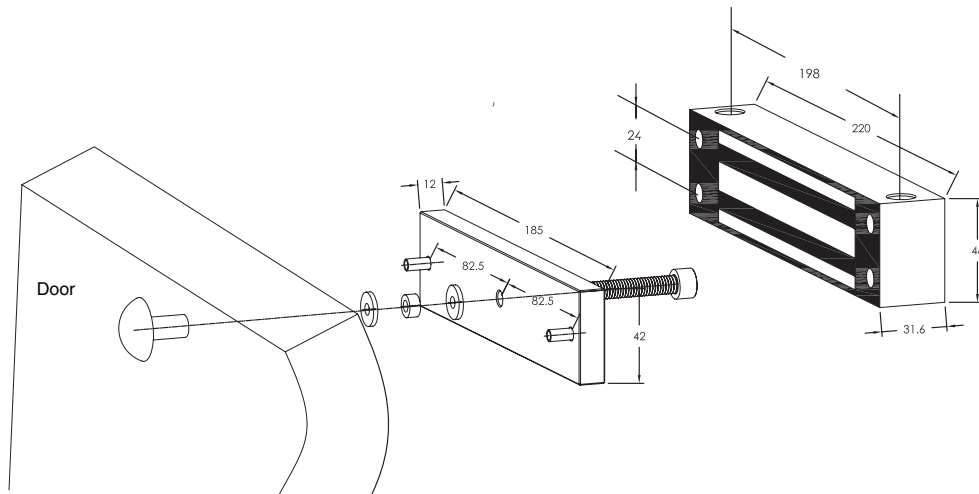
## SPECIFICATIONS

|                  |   |
|------------------|---|
| EM4700           | WEATHER RESISTANT ELECTRO MAGNETIC GATE LOCK MONITORED  |
| HOLDING STRENGTH | UP TO 380KG   |
| VOLTAGE/CURRENT  | DUAL VOLTAGE 12/24VDC 12VDC = 400mA 24VDC = 200mA   |
| APPROVALS        | CE & C-TICK   |
| LSS MONITORING   | LSS LOCK STATUS SENSOR (HALL EFFECT)  |
| ENVIRONMENTAL    | IP67 RATED, OPERATIONAL TEMPERATURE RANGE - 20 DEG. C TO 60 DEG. C.   |

# EM4700

Weather Resistant Electro Magnetic Gate Lock

## PRODUCT DIMENSIONS



Dimensions (mm)

## EM4700 FACTS

- Up to 380kg holding force
- Lock Status monitoring Sensor (LSS)
- Stainless 304 steel body housing
- Weather resistant IP67
- Lifetime warranty
- CE/RCM
- No residual magnetism

## ACCESSORIES



### AMGB4-12

LOX U SHAPE ARMATURE HOLDER FOR GLASS DOORS  
EM3500/M & EM3500D/DM



### AMZB4-LP

LOX L & Z BRACKET FOR INWARDS OPENING DOORS  
EM3500/M & EM4700

**LOX**  
LOCKING

LOX LOCKING PTY LTD | [www.loxlocking.com.au](http://www.loxlocking.com.au)

**LOX**<sup>®</sup>

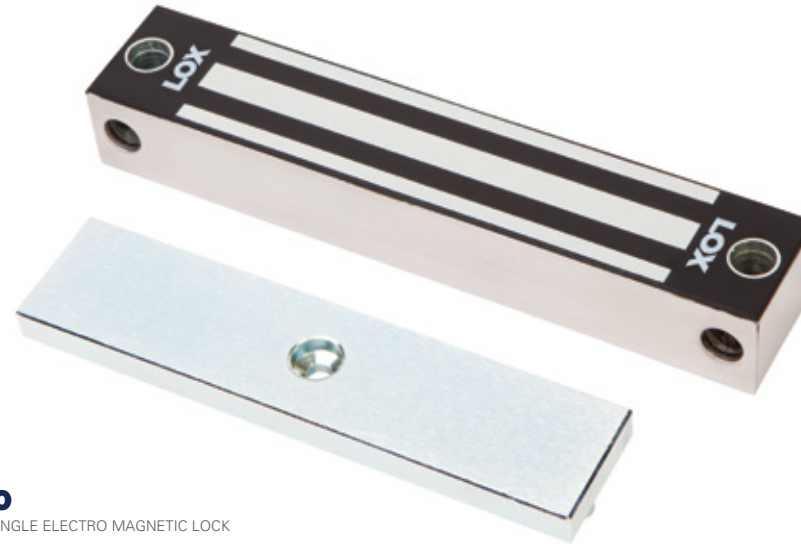
# EM4500

## MINI Weather Resistant Electro Magnetic Gate Lock

### EM4500 DESCRIPTION



The **LOX EM4500** has been designed with a fully enclosed stainless-steel housing. It is one of the most reliable locking devices for true external applications exposed to wind and weather. The **EM4500** lock is **IP67** rated and a proven locking solution in the harshest environments around Australia. It has a holding force of up to **200kg** a dual fixing arrangement (front and header mount), a built-in varistor surge protection and accepts dual voltage of 12VDC and 24VDC.

The **EM4500** Mini Electro Magnetic Gate Lock has a Reed Switch monitoring feature and comes with a Lifetime Warranty.



**EM4500**  
MONITORED SINGLE ELECTRO MAGNETIC LOCK

### SPECIFICATIONS

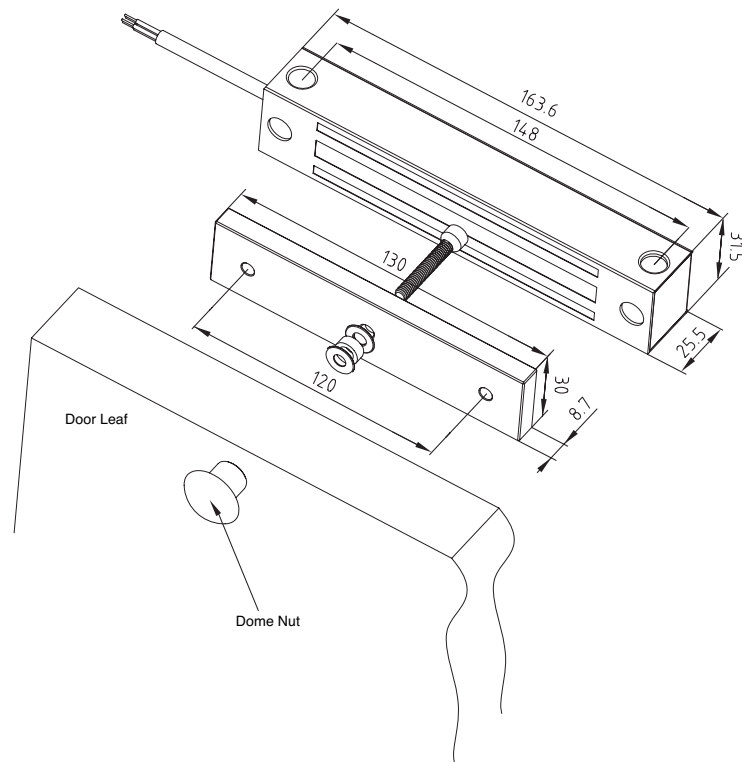
|                  |   |
|------------------|---|
| EM4500           | WEATHER RESISTANT ELECTRO MAGNETIC MINI GATE LOCK MONITORED   |
| HOLDING STRENGTH | UP TO 200KG   |
| VOLTAGE/CURRENT  | DUAL VOLTAGE 12/24VDC 12VDC = 360mA 24VDC = 180mA   |
| APPROVALS        | CE & C-TICK   |
| DSS MONITORING   | DOOR STATUS SENSOR (REED SWITCH)  |
| ENVIRONMENTAL    | IP67 RATED, OPERATIONAL TEMPERATURE RANGE - 20 DEG. C TO 60 DEG. C.   |



# EM4500

MINI Weather Resistant Electro Magnetic Gate Lock

## PRODUCT DIMENSIONS



Dimensions (mm)

## EM4500 FACTS

- Up to 200kg holding force
- Lock Status monitoring Sensor (LSS)
- Stainless 304 steel body housing
- Weather resistant IP67
- Lifetime warranty
- CE/RCM
- No residual magnetism

## ACCESSORIES



### AMZB3

LOX L & Z BRACKET FOR INWARDS OPENING DOORS  
CCW30S & EM4500

# CCW30S

Electro Magnetic MINI Lock Non Monitored Single

## CCW30S DESCRIPTION

The **LOX CCW30S** Electro Magnetic Mini Lock was designed for securing hinged doors on lockers, cabinets or other kinds of small doors.



The holding force is up to **180kg**.



## CCW30S

NON MONITORED SINGLE ELECTRO MAGNETIC MINI LOCK

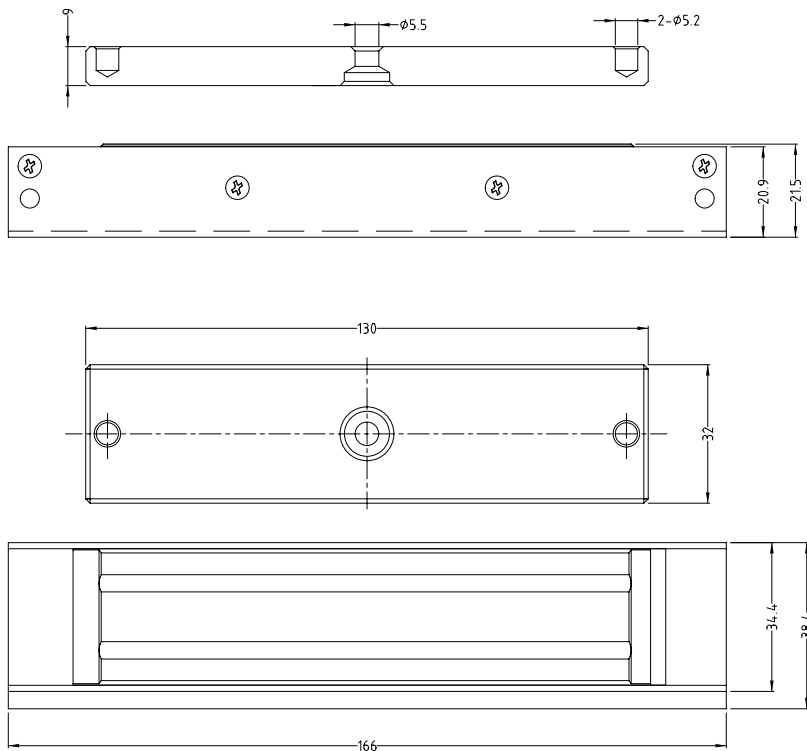
## SPECIFICATIONS

|                  |   |
|------------------|---|
| CCW30S           | SINGLE ELECTRO MAGNETIC MINI LOCK NON MONITORED   |
| HOLDING STRENGTH | UP TO 180KG, TESTED TO 400.00 CYCLES  |
| VOLTAGE/CURRENT  | DUAL VOLTAGE 12/24VDC 12VDC = 350mA 24VDC = 175mA   |
| APPROVALS        | CE & C-TICK   |
| ENVIRONMENTAL    | OPERATIONAL TEMPERATURE RANGE - 20 DEG. C TO 60 DEG. C.   |

# CCW30S

Electro Magnetic MINI Lock Non Monitored Single

## PRODUCT DIMENSIONS



Dimensions (mm)

## CCW30S FACTS

- Built-in varistor (MOV) surge protection
- CE/RCM Approvals
- Lifetime warranty
- No residual magnetism

## ACCESSORIES



### AMZB3

LOX L & Z BRACKET FOR INWARDS OPENING DOORS  
CCW30S



### AMFB3

LOX L-BRACKET FOR CCW30S

# CCW30F

Flush Mount Electro Magnetic MINI Lock Non Monitored

## CCW30F DESCRIPTION



The **LOX CCW30F** Flush Mount Electro Magnetic Mini Lock was designed for securing small sliding door cabinets and the like. The holding force is up to **180kg**.



## CCW30F

FLUSH MOUNT MONITORED SINGLE ELECTRO MAGNETIC LOCK

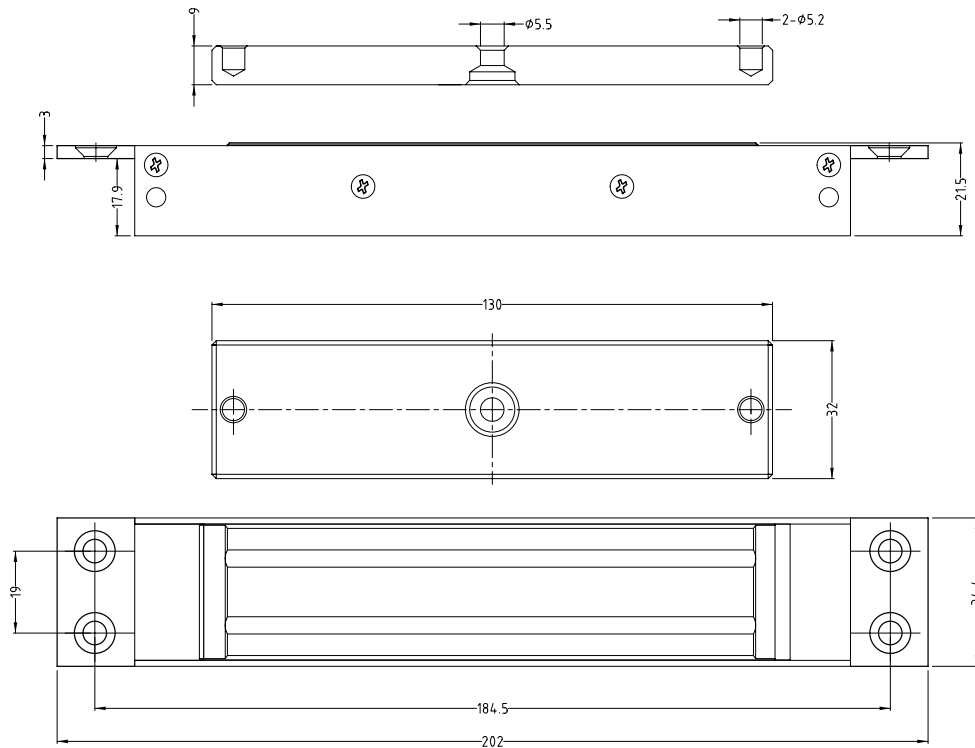
## SPECIFICATIONS

|                  |   |
|------------------|---|
| CCW30F           | FLUSH MOUNT SINGLE ELECTRO MAGNETIC LOCK NON MONITORED  |
| HOLDING STRENGTH | UP TO 180KG, TESTED TO 400.000 CYCLES   |
| VOLTAGE/CURRENT  | DUAL VOLTAGE 12/24VDC 12VDC = 350mA 24VDC = 175mA   |
| APPROVALS        | CE & C-TICK   |
| ENVIRONMENTAL    | OPERATIONAL TEMPERATURE RANGE - 20 DEG. C TO 60 DEG. C.   |

# CCW30F

Flush Mount Electro Magnetic MINI Lock Non Monitored

## PRODUCT DIMENSIONS



Dimensions (mm)

## CCW30F FACTS

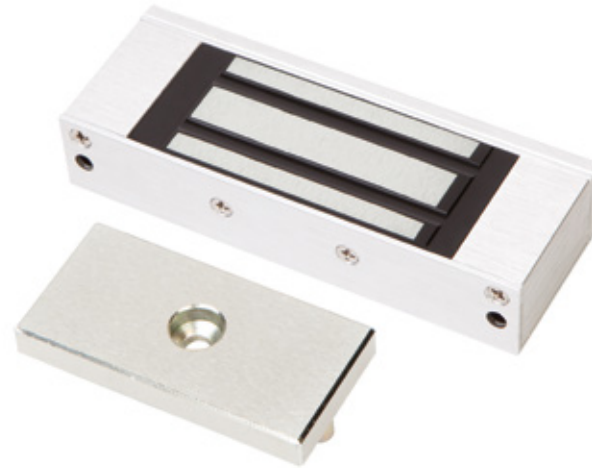
- Built-in varistor (MOV) surge protection
- CE/RCM Approvals
- Lifetime warranty
- No residual magnetism

# CCW15S

Electro Magnetic MICRO Lock Non Monitored Single

## CCW15S DESCRIPTION



The **LOX CCW15S** Electro Magnetic MICRO Lock was designed for securing hinged doors on lockers, cabinets and the like. The holding force is **75kg**.



## CCW15S

NON MONITORED SINGLE ELECTRO MAGNETIC MICRO LOCK

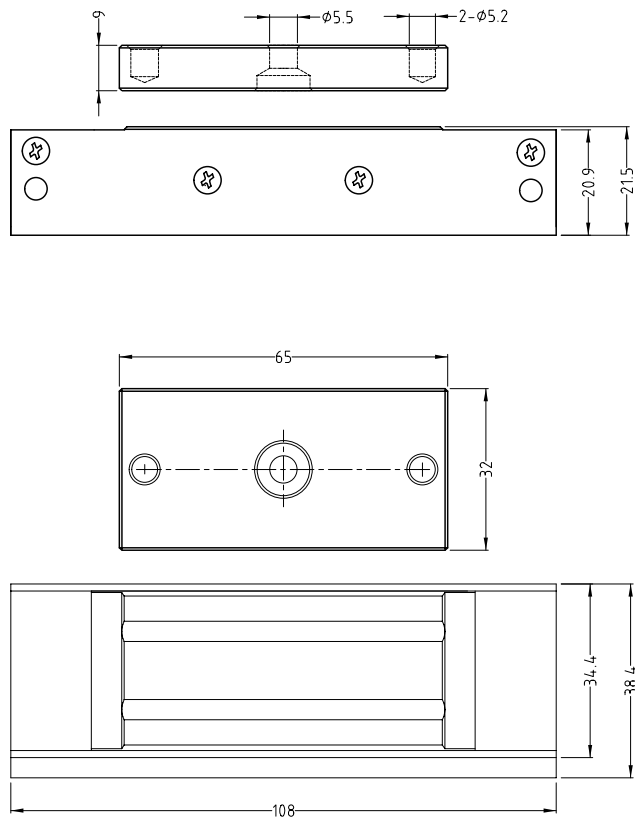
## SPECIFICATIONS

|                  |   |
|------------------|---|
| CCW15S           | SINGLE ELECTRO MAGNETIC MICRO LOCK NON MONITORED  |
| HOLDING STRENGTH | UP TO 75KG, TESTED TO 400.000 CYCLES  |
| VOLTAGE/CURRENT  | DUAL VOLTAGE 12/24VDC 12VDC = 240mA 24VDC = 120mA   |
| APPROVALS        | CE & C-TICK   |
| ENVIRONMENTAL    | OPERATIONAL TEMPERATURE RANGE - 20 DEG. C TO 60 DEG. C.   |

# CCW15S

Electro Magnetic MICRO Lock Non Monitored Single

## PRODUCT DIMENSIONS



Dimensions (mm)

## CCW15S FACTS

- Built-in varistor (MOV) surge protection
- CE/RCM Approvals
- Lifetime warranty
- No residual magnetism

# SH2500

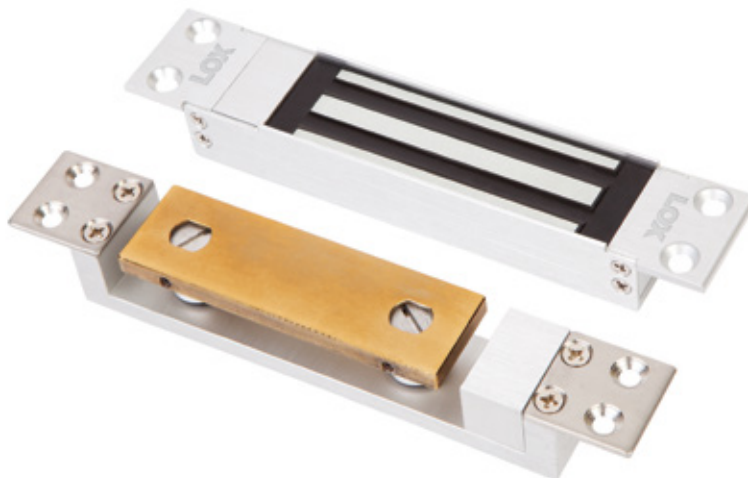
Electro Magnetic Shear Lock Mortise Mount Monitored

## SH2500 DESCRIPTION

The **LOX SH2500** Shear Lock has been designed for double action **180°** degree swing through doors. Whilst standard Electro Magnetic Locking devices work on the principle of tensile force, Shear Locks operate on shear alignment force. When the shear lock detects the door in the closed position, the magnet pulls the armature plate up by about 5mm and jams the armature in the lock body's Aluminum frame (wing). The shear lock accepts voltages from 12 to 24VDC and has a holding strength of up to **250kg** of shear load.

## THE MONITORED MAGNETIC SHEAR LOCKS HAVE:



- A built-in Hall Effect Sensor for monitoring the lock/unlock status of the locking device (LSS – Lock Status Sensor)
- LED Indicator



### SH2500

MONITORED SINGLE MAGNETIC SHEAR LOCK

### SPECIFICATIONS

|                  |  |
|------------------|--|
| SH2500           | ELECTRO MAGNETIC SHEAR LOCK MORTISE MOUNT MONITORED  |
| HOLDING STRENGTH | UP TO 250KG, TESTED TO 400.00 CYCLES   |
| VOLTAGE/CURRENT  | MULTI VOLTAGE 12-24VDC 12VDC = 1.2A IN-RUSH CURRENT & 0.2A HOLDING CURRENT<br>24VDC = 0.6 IN-RUSH CURRENT & 0.1A HOLDING CURRENT   |
| APPROVALS        | CE & RCM   |
| LSS MONITORING   | LSS LOCK STATUS SENSOR (HALL EFFECT)   |
| ENVIRONMENTAL    | OPERATIONAL TEMPERATURE RANGE - 20 DEG. C TO 60 DEG. C.  |

**LOX**<sup>®</sup>  
LOCKING

LOX LOCKING PTY LTD | www.loxlocking.com.au

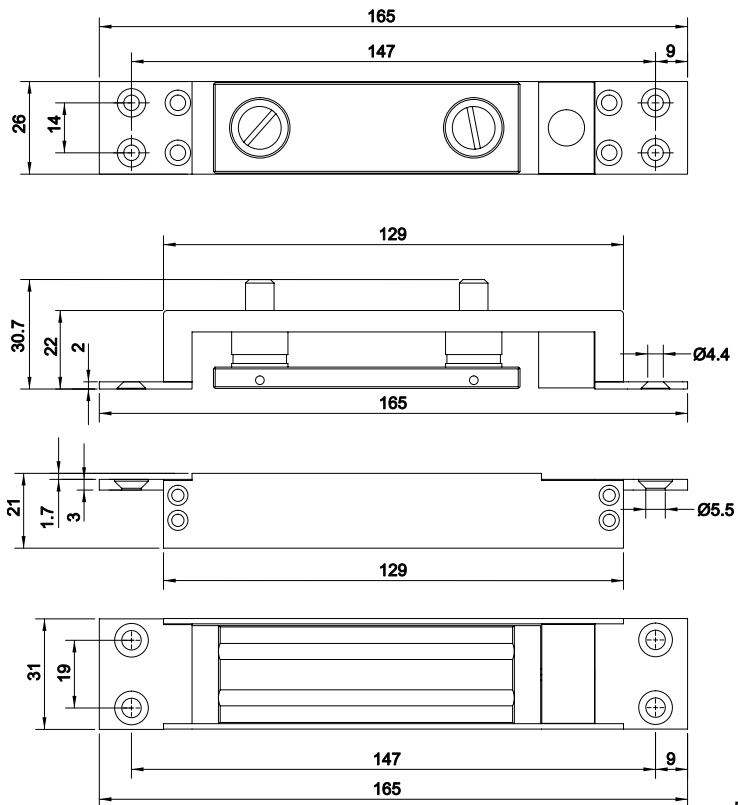
**LOX**<sup>®</sup>



# SH2500

Electro Magnetic Shear Lock Mortise Mount Monitored

## PRODUCT DIMENSIONS



Dimensions (mm)

## SH2500 FACTS

- 2 years warranty
- CE/RCM Approvals
- Up to 250kg holding strength
- Low holding current
- Multi Voltage 12 to 24 VDC

## NOTE

- Shear Locks are not suitable for sliding doors.
- Lock should not be used on doors:
  - >2100mm in height
  - >900mm in width
- Product designed for metal swing doors.

# EM3500FM

Flush Mount Electro Magnetic Lock Monitored

## EM3500FM DESCRIPTION



The **LOX EM3500FM** Flush Mount Electro Magnetic Lock was designed for securing single leaf internal sliding doors. The lock is mortised into the door frame and has a holding force of up to **280kg**. It has Lock Status Sensor (LSS) monitoring function (Hall-Effect).



### EM3500FM

MONITORED SINGLE FLUSH MOUNT ELECTRO MAGNETIC LOCK

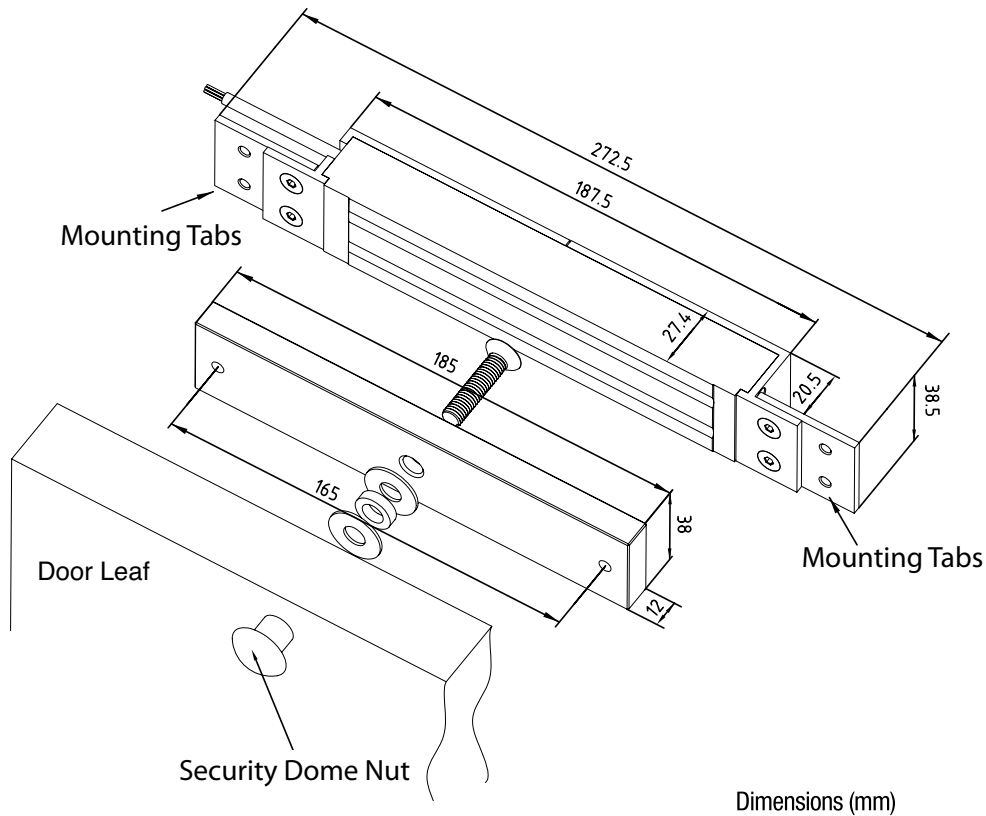
### SPECIFICATIONS

|                  |   |
|------------------|---|
| EM3500FM         | FLUSH MOUNT ELECTRO MAGNETIC LOCK MONITORED   |
| HOLDING STRENGTH | UP TO 280KG, TESTED TO 400.00 CYCLES  |
| VOLTAGE/CURRENT  | DUAL VOLTAGE 12/24VDC 12VDC = 500mA 24VDC = 250mA   |
| APPROVALS        | CE & C-TICK   |
| LSS MONITORING   | LSS LOCK STATUS SENSOR (HALL EFFECT)  |
| ENVIRONMENTAL    | OPERATIONAL TEMPERATURE RANGE - 20 DEG. C TO 60 DEG. C.   |

# EM3500FM

Flush Mount Electro Magnetic Lock Monitored

## PRODUCT DIMENSIONS



## EM3500FM FACTS

- Built-in Hall Effect Sensor for monitoring the lock/unlock status of the locking device (LSS)
- Built-in varistor (MOV) surge protection
- CE/RCM Approvals
- Lifetime warranty
- No residual magnetism

**LOX**<sup>®</sup>  
LOCKING

# MML Mechanical Magnetic Lock

# MML2400 SERIES

Mechanical Magnetic Locking Device - Outward Opening Doors

## MML2400 DESCRIPTION

The **LOX MML** Series fully monitored locking device is an innovative alternative to traditional Electro Magnetic Locks.

A clever combination of magnetic and mechanical locking components makes the MML a locking device with superior holding force of up to **1000kg**, whilst being 75% smaller than a standard 600kg Electro Magnetic Lock.

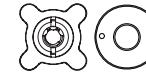
70kg side pressure (pre-load) capability on the door, a smart “Early Warning Alarm” security function and a low current draw rating complete this clever product.

The MML Lock is not recommended to be used on doors above 2400mm height.




**MML2400**  
MONITORED SINGLE DOOR MECHANICAL MAGNETIC LOCK  
OUTWARD OPENING DOORS

**1000KG MML PIN LOCK**



BEARING LOCK ARMATURE PIN

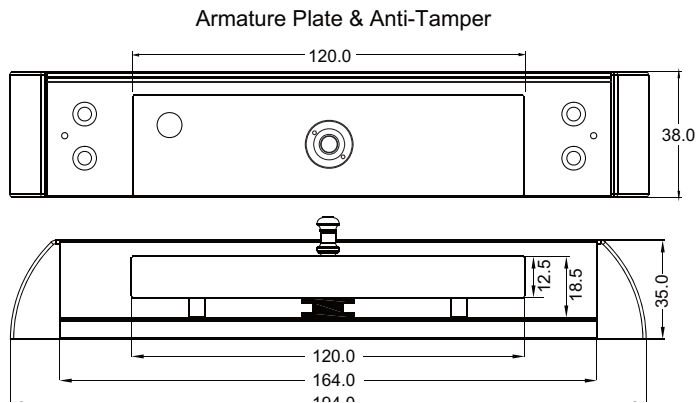
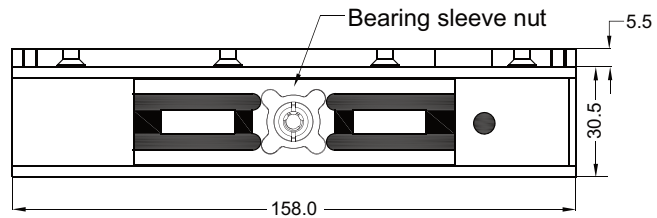
### SPECIFICATIONS

| MML2400                 | SINGLE MECHANICAL MAGNETIC LOCKING DEVICE - OUTWARD OPENING DOORS  |
|-------------------------|--|
| <b>HOLDING STRENGTH</b> | UP TO 1000KG, TESTED TO 750 THOUSAND CYCLES  |
| <b>VOLTAGE/CURRENT</b>  | DUAL VOLTAGE 12/24VDC 12VDC = 350mA 24VDC = 175mA  |
| <b>APPROVALS</b>        | UP TO 4 HOUR FIRE RATED TO A.S STANDARD, CE & C-TICK  |
| <b>LSS MONITORING</b>   | LSS LOCK STATUS SENSOR (HALL EFFECT)   |
| <b>DSS MONITORING</b>   | DOOR STATUS SENSOR (REED SWITCH)   |
| <b>LED LIGHT STATUS</b> | LED LIGHT STATUS INDICATES LOCKED OR UNLOCKED STATUS   |
| <b>ENVIRONMENTAL</b>    | OPERATIONAL TEMPERATURE RANGE - 20 DEG. C TO 60 DEG. C.  |

# MML2400 SERIES

Mechanical Magnetic Locking Device - Outward Opening Doors

## PRODUCT DIMENSIONS



Dimensions (mm)

## MML2400 FACTS

- 75% smaller than traditional 600kg holding force magnets
- Holding force of up to 1000kg
- Unlocks under side load of up to 70kg
- Dual-Voltage 12/24VDC reduced power consumption 24VDC/175mA
- 5 year warranty | 1 year warranty for electronic components
- Up to 4 hour fire rated
- Full monitoring Lock Status Sensor (LSS) and Door Status Sensor (DSS)
- Early Warning Security Alarm (EW)

# MML2400LZ SERIES

Mechanical Magnetic Locking Device - Inward Opening Doors

## MML2400LZ DESCRIPTION

The **LOX MML** Series fully monitored locking device is an innovative alternative to traditional Electro Magnetic Locks.

A clever combination of magnetic and mechanical locking components makes the MML a locking device with superior holding force of up to **1000kg**, whilst being 50% smaller than a standard 600kg Electro Magnetic Lock.

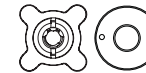
70kg side pressure (pre-load) capability on the door, a smart “Early Warning Alarm” security function and a low current draw rating complete this clever product.

The MML Lock is not recommended to be used on doors above 2400mm height.





**MML2400LZ**  
MONITORED SINGLE DOOR MECHANICAL MAGNETIC LOCK  
INWARD OPENING DOORS

**1000KG MML PIN LOCK**



BEARING LOCK ARMATURE PIN

## SPECIFICATIONS

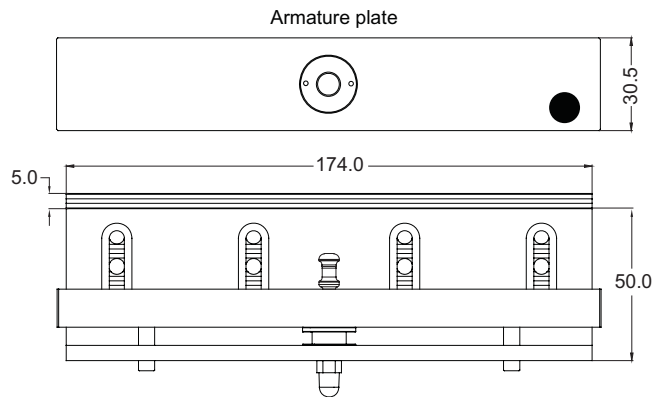
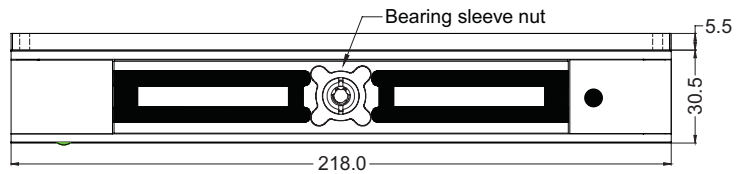
|                         |  |
|-------------------------|--|
| <b>MML2400LZ</b>        | SINGLE MECHANICAL MAGNETIC LOCKING DEVICE - INWARD OPENING DOORS   |
| <b>HOLDING STRENGTH</b> | UP TO 1000KG, TESTED TO 750 THOUSAND CYCLES  |
| <b>VOLTAGE/CURRENT</b>  | DUAL VOLTAGE 12/24VDC 12VDC = 350mA 24VDC = 175mA  |
| <b>APPROVALS</b>        | UP TO 4 HOUR FIRE RATED TO A.S STANDARD, CE & C-TICK   |
| <b>LSS MONITORING</b>   | LSS LOCK STATUS SENSOR (HALL EFFECT)   |
| <b>DSS MONITORING</b>   | DOOR STATUS SENSOR (REED SWITCH)   |
| <b>LED LIGHT STATUS</b> | SMALL LED LIGHT INDICATES LOCKED OR UNLOCKED STATUS  |
| <b>ENVIRONMENTAL</b>    | OPERATIONAL TEMPERATURE RANGE - 20 DEG. C TO 60 DEG. C.  |



# MML2400LZ SERIES

Mechanical Magnetic Locking Device - Inward Opening Doors

## PRODUCT DIMENSIONS



Dimensions (mm)

## MML2400LZ FACTS

- 50% smaller than traditional 600kg holding force magnets
- Holding force of up to 1000kg
- Unlocks under side load of up to 70kg
- Dual-Voltage 12/24VDC reduced power consumption 24VDC/175mA
- 5 year warranty | 1 year warranty for electronic components
- 4 hour fire rated
- Full monitoring Lock Status Sensor (LSS) and Door Status Sensor (DSS)
- Early Warning Security Alarm (EW)

**LOX**<sup>®</sup>  
LOCKING

# Drop Bolts

# DB1260 SERIES

## Standard Electromechanical Drop Bolt

### DB1260 DESCRIPTION

The **LOX DB1260** Electric Drop Bolt has been designed to be used on double action (swing through) doors or as an additional locking device in conjunction with an Electric Strike in single door applications. The **DB1260** has a **25mm** wide face plate and is therefore applicable on narrow style frame installations. It is available in either "Power to Lock" (Fail Safe) or "Power to Open" (Fail Secure). The **DB1260** product range provides several glass-door mounting accessories. We do not recommend using this product on Emergency Egress Door.





Fail Secure version pictured

### DB1260

STANDARD ELECTROMECHANICAL DROP BOLT

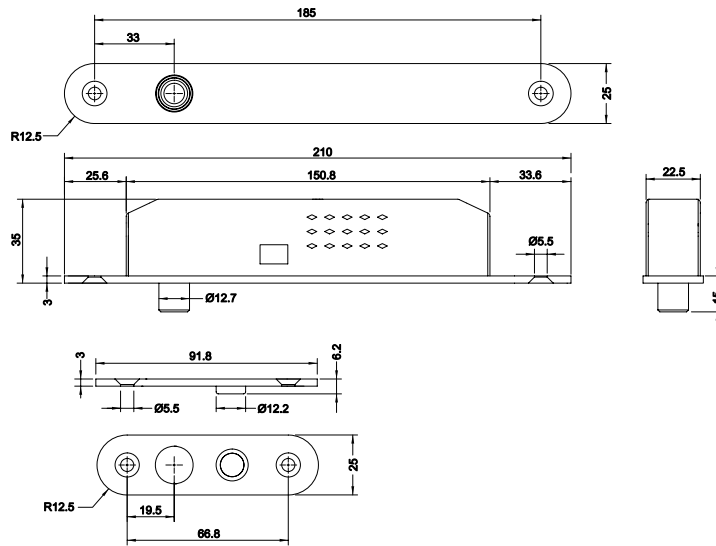
### SPECIFICATIONS

|                  |  |
|------------------|--|
| DB1260PTL        | MORTISE MOUNT ELECTRIC DROP BOLT, NARROW STYLE POWER TO LOCK (FAIL SAFE)   |
| DB1260PTO        | MORTISE MOUNT ELECTRIC DROP BOLT, NARROW STYLE POWER TO OPEN (FAIL SECURE)   |
| HOLDING STRENGTH | UP TO 300KG, TESTED TO 400.000 CYCLES  |
| VOLTAGE/CURRENT  | DUAL VOLTAGE 12/24VDC 12VDC = 530mA 24VDC = 260mA  |
| APPROVALS        | UP TO 4 HOUR FIRE RATED TO A.S STANDARD, CE & C-TICK   |
| DSS MONITORING   | DOOR STATUS SENSOR (REED SWITCH)   |
| ENVIRONMENTAL    | OPERATIONAL TEMPERATURE RANGE - 20 DEG. C TO 60 DEG. C.  |

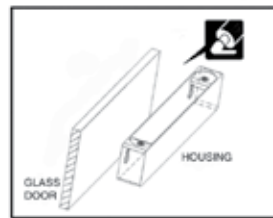
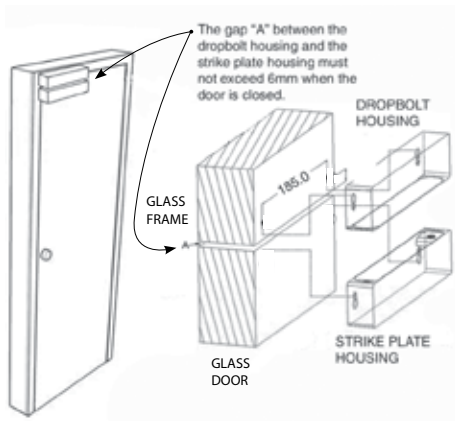
# DB1260 SERIES

Standard Electromechanical Drop Bolt

## PRODUCT DIMENSIONS



Dimensions (mm)



GLASS DOOR MOUNT APPLICATION

1. ALL SURFACES MUST BE CLEAN, FREE OF DIRT, OIL OR GREASE
2. APPLY 3M VHB ADHESIVE (NOT SUPPLIED) IN ACCORDANCE WITH THE MANUFACTURERS INSTRUCTIONS AND FIT TO GLASS DOOR / HEAD PANEL AS ABOVE

## DB1260 FACTS

- Internal control circuits protect drop bolt pin from damage
- Power to Lock or Power to Open version available (to be specified)
- Auto lock function
- Built-in varistor (MOV) for surge protection
- Time delay setting at 0/3/6/10 secs
- 1 year warranty

## ACCESSORIES



### DB1260BOX

SURFACE MOUNT BOX FOR DB1260 DROP BOLT. REQUIRES THE LONG STRIKE PLATE DB1260-PLATE-MAG, WHEN USED AS A SURFACE MOUNT STRIKE PLATE ON THE DOOR



### DB1260L-PLATE-MAG

LONG STRIKE PLATE FOR DB1260 DROP BOLT

**LOX**<sup>®</sup>  
LOCKING

# Cabinet Locks

# CLO001 & CLO002

Cabinet Locks Surface Mounted

## CLO001 & CLO002 DESCRIPTION

The **LOX** CL-Series Cabinet Locks are designed to fit into cabinets and lockers with hinged, double action (swing through) or sliding doors. They can be mounted from either the front or side of the door and come factory-set as Fail-Secure. They can be field changed to Fail-Safe if required.

The **CLO001 & CLO002** Cabinet Locks are suitable for surface mount installation on all types of cabinets or lockers.



## SPECIFICATIONS

|                         |  |
|-------------------------|--|
| <b>CL0001</b>           | SURFACE MOUNT CABINET LOCK NON MONITORED (200MM CABLE)   |
| <b>CL0001-12-8</b>      | SURFACE MOUNT CABINET LOCK NON MONITORED (8M CABLE)  |
| <b>CL0002</b>           | SURFACE MOUNT CABINET LOCK MONITORED (200MM CABLE)   |
| <b>HOLDING STRENGTH</b> | UP TO 150KG  |
| <b>MONITORING</b>       | CL0002 ONLY - LOCK STATUS (LSS) & DOOR STATUS (DSS)  |
| <b>LOCKING FUNCTION</b> | FIELD SELECTABLE. FAIL SECURE (FACTORY SET)  |
| <b>VOLTAGE/CURRENT</b>  | CL0001-12-8 - 12VDC = 190mA<br>CL0001 - DUAL VOLTAGE 12/24VDC 12VDC = 190mA 24VDC = 90mA<br>CL0002 - DUAL VOLTAGE 12/24VDC 12VDC = 200mA 24VDC = 100mA |



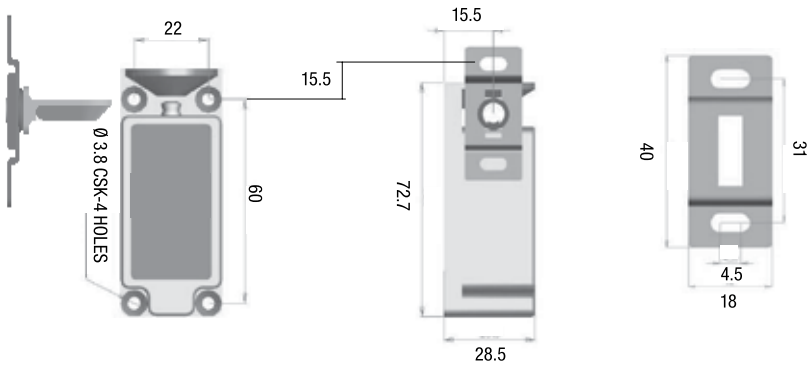


# CLO001 & CLO002

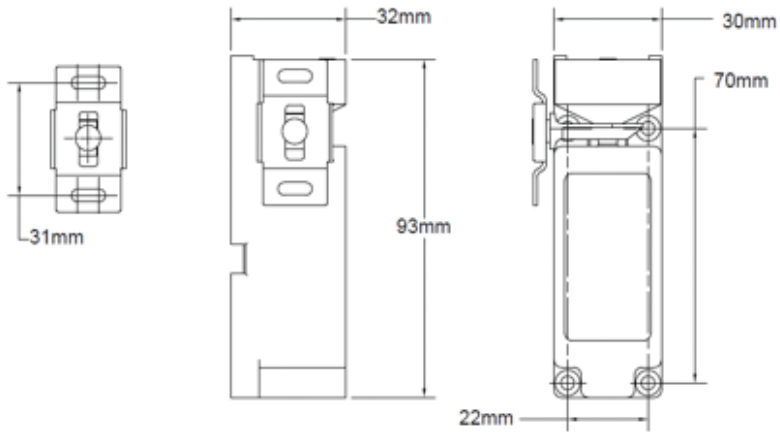
Cabinet Locks Surface Mounted

## PRODUCT DIMENSIONS

CL0001 & CL0001-12-8



CL0002



Dimensions (mm)

## THREE VERSIONS AVAILABLE

### ■ CLO001

Has a 200mm connection cable and operates on 12 or 24 Volts DC

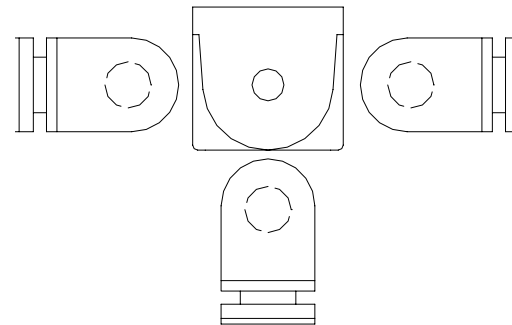
### ■ CLO001-12-8

Operates on 12 Volt DC only and has an 8 metre connection cable

### ■ CLO002

Has a door monitoring function (locking pin monitoring and door status monitoring) and a 200mm connection cable. It operates on 12 or 24 Volt DC.

TOP-VIEW MOUNTING OPTIONS CL0001 & CL0002



**LOX**<sup>®</sup>  
LOCKING

# Door Hold Open Magnets

# R40 SERIES

Door Hold Open Magnets WALL Mounted

## R40 DESCRIPTION

The **LOX R40** Door Hold Open Magnets are operating on a fail-safe principle similar to common Electro Magnetic Locking Devices.

Door Hold Open Magnets consist of a round electromagnetic lock and steel armature plate.

Doors with Door Hold Open Magnets installed are usually required to remain in an open position for the general public or pedestrians and can be released by dropping the power to the device.

The R40 Series devices are WALL mounted and come in **12VDC** and **24VDC**.



**R40**  
DOOR HOLD OPEN MAGNETS WALL MOUNTED

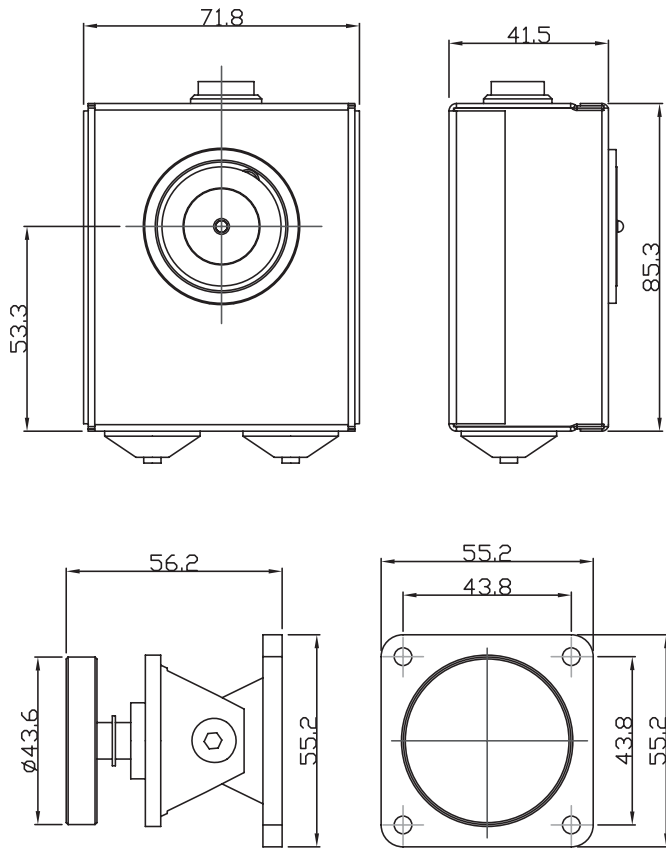
## SPECIFICATIONS

|                         |   |
|-------------------------|---|
| <b>R40-12</b>           | DOOR HOLD OPEN MAGNETS WALL MOUNTED 12VDC |
| <b>R40-24</b>           | DOOR HOLD OPEN MAGNETS WALL MOUNTED 24VDC |
| <b>HOLDING STRENGTH</b> | UP TO 25KG                                |
| <b>VOLTAGE/CURRENT</b>  | 12VDC = 160mA 24VDC = 80mA                |

# R40 SERIES

Door Hold Open Magnets WALL Mounted

## PRODUCT DIMENSIONS



Dimensions (mm)

## R40 FACTS

- Wall mounted
- Up to 25kg holding force
- 12 and 24VDC options
- Operating in fail safe mode
- 2 years warranty

# R40PCH SERIES

Door Hold Open Magnets WALL Mounted

## R40PCH DESCRIPTION

The **LOX R40PCH** Door Hold Open Magnets are operating on a fail-safe principle similar to common Electro Magnetic Locking Devices.

Door Hold Open Magnets consist of a round electromagnetic lock and steel armature plate.

Doors with Door Hold Open Magnets installed are usually required to remain in an open position for the general public or pedestrians and can be released by dropping the power to the device.

The R40PCH Series devices are WALL mounted with extensions and come in **12VDC** and **24VDC**.



## R40PCH

DOOR HOLD OPEN MAGNETS WALL MOUNTED

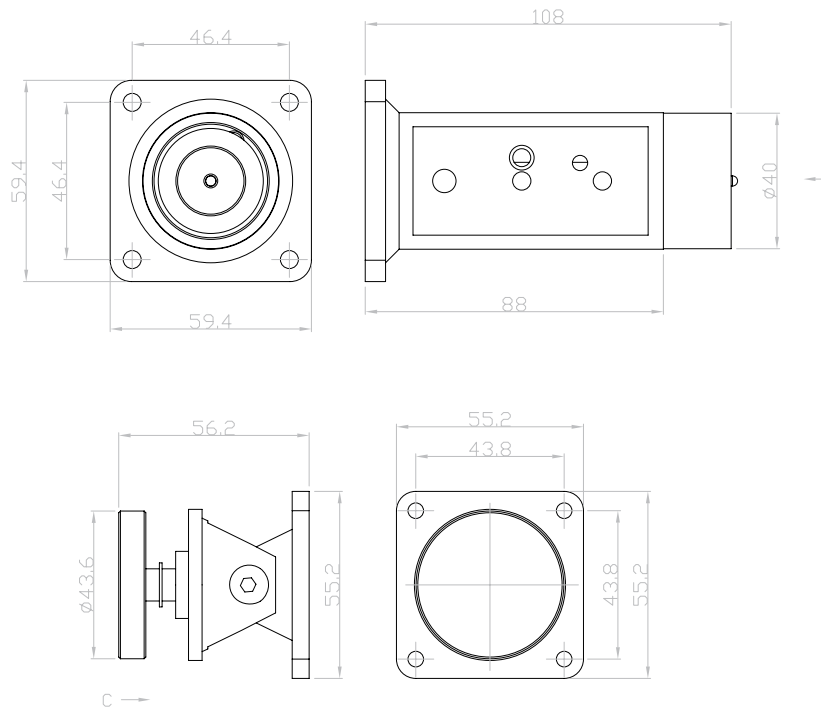
## SPECIFICATIONS

|                  |  |
|------------------|--|
| R40PCH-12        | DOOR HOLD OPEN MAGNETS WALL MOUNTED 12VDC 108MM LONG |
| R40PCH-24        | DOOR HOLD OPEN MAGNETS WALL MOUNTED 24VDC 108MM LONG |
| HOLDING STRENGTH | UP TO 25KG   |
| VOLTAGE/CURRENT  | 12VDC = 160mA 24VDC = 80mA                           |

# R40PCH SERIES

Door Hold Open Magnets WALL Mounted

## PRODUCT DIMENSIONS



Dimensions (mm)

## R40PCH FACTS

- Wall mounted
- Up to 25kg holding force
- 12 and 24VDC options
- Operating in fail safe mode
- 2 years warranty

# R40PCV SERIES

Door Hold Open Magnets FLOOR Mounted

## R40PCV DESCRIPTION

The **LOX R40PCV** Door Hold Open Magnets are operating on a fail-safe principle similar to common Electro Magnetic Locking Devices.

Door Hold Open Magnets consist of a round electromagnetic lock and steel armature plate.

Doors with Door Hold Open Magnets installed are usually required to remain in an open position for the general public or pedestrians and can be released by dropping the power to the device.

The R40PCV Series devices are FLOOR mounted and come in **12VDC** and **24VDC**.



### R40PCV

DOOR HOLD OPEN MAGNETS FLOOR MOUNTED

### SPECIFICATIONS

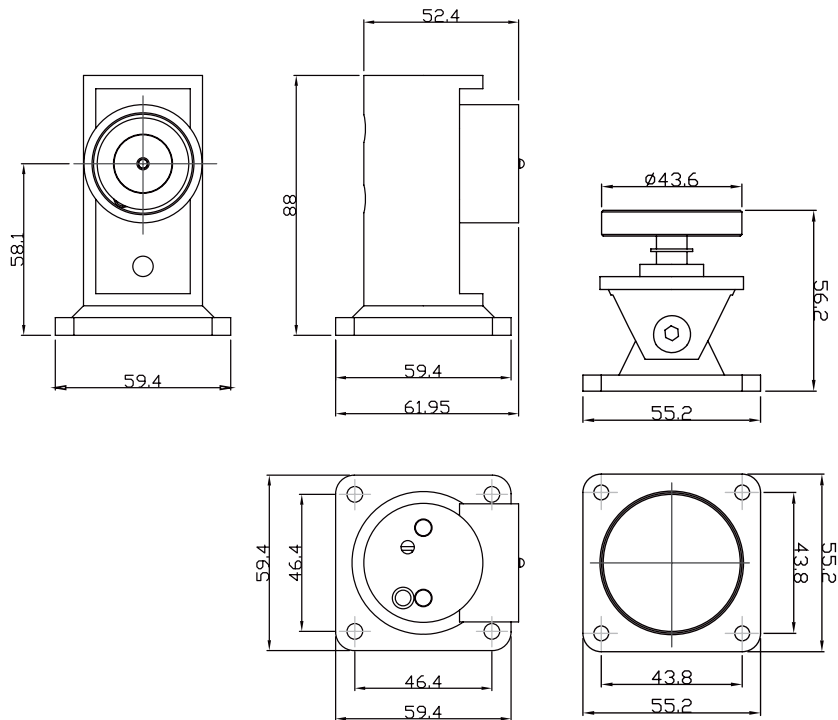
|                  |  |
|------------------|--|
| R40PCV-12        | DOOR HOLD OPEN MAGNETS FLOOR MOUNTED 12VDC |
| R40PCV-24        | DOOR HOLD OPEN MAGNETS FLOOR MOUNTED 24VDC |
| HOLDING STRENGTH | UP TO 25KG                                 |
| VOLTAGE/CURRENT  | 12VDC = 160mA 24VDC = 80mA                 |



# R40PCV SERIES

Door Hold Open Magnets FLOOR Mounted

## PRODUCT DIMENSIONS



Dimensions (mm)

## R40PCV FACTS

- Floor mounted
- Up to 25kg holding force
- 12 and 24VDC options
- Operating in fail safe mode
- 2 years warranty

# 35000 SERIES

Wall or Floor Hold Open Magnets

## 35770 + 35771 DESCRIPTION

The **LOX 35770+35771** Heavy duty door magnetic holder, with **50kg** holding force, titanium alloy surface finished, elegant appearance. When an alarm occurs, power is removed from the devices and the doors are returned to the closed condition. The devices come in **12** or **24VDC**.



35772 FLOOR MOUNT BOX



**35770 & 35771**  
WALL HOLD OPEN MAGNETS

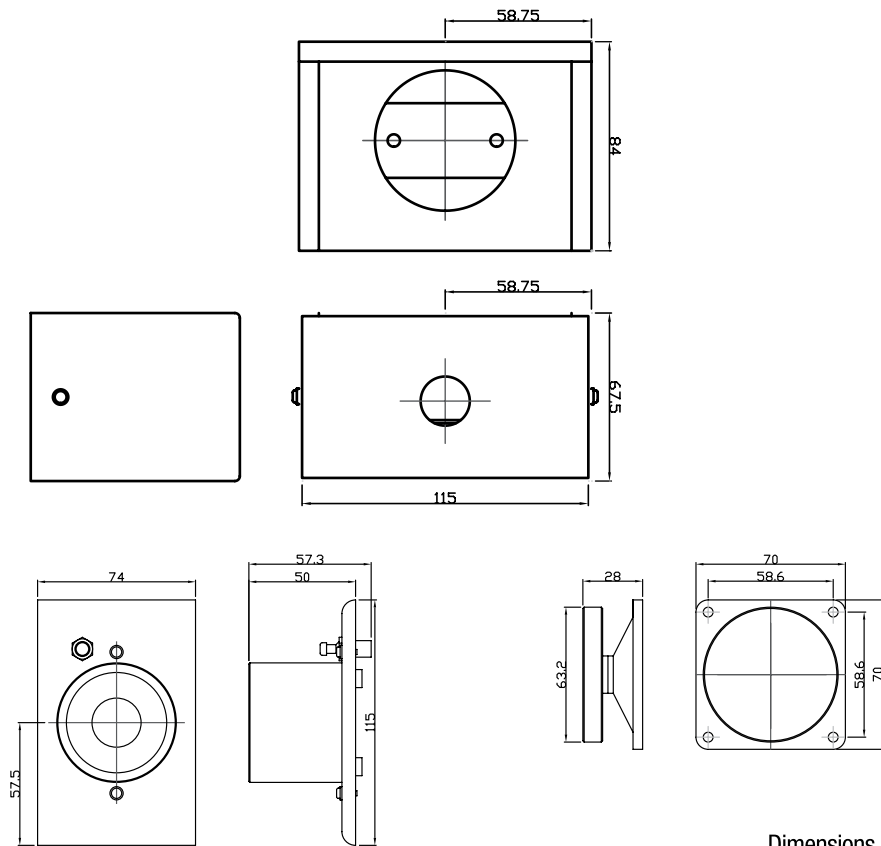
## SPECIFICATIONS

|                         |   |
|-------------------------|---|
| <b>35770</b>            | 12VDC WALL MOUNT MAGNETIC DOOR HOLD OPEN                |
| <b>35771</b>            | 24VDC WALL MOUNT MAGNETIC DOOR HOLD OPEN                |
| <b>35772</b>            | FLOOR MOUNT MAGNETIC DOOR HOLD OPEN BOX                 |
| <b>HOLDING STRENGTH</b> | UP TO 50KG  |
| <b>VOLTAGE/CURRENT</b>  | 12VDC = 100mA 24VDC = 50mA                              |
| <b>ENVIRONMENTAL</b>    | OPERATIONAL TEMPERATURE RANGE - 20 DEG. C TO 60 DEG. C. |

# 35000 SERIES

Wall or Floor Hold Open Magnets

## PRODUCT DIMENSIONS



Dimensions (mm)

## 35770 + 35771 FACTS

- Up to 50kg holding force
- 12 and 24VDC options
- Floor mount and wall mount options

# 35000 SERIES

Wall or Floor Hold Open Magnets with Extension

## 35770 EXTENSION DESCRIPTION

The **LOX 35770** Extension Series of Door Hold Open Magnets are multi-functional and dual voltage. The innovative swivel head allows the extension arm to be either straight for wall mount, or 90 degree for floor mounting. The operating voltage can be selected to either 12VDC or 24VDC by selector pins. The product comes in two versions, either **150mm** or **300mm**



### 35770 EXTENSION SERIES

150MM & 300MM WALL & FLOOR HOLD OPEN MAGNETS

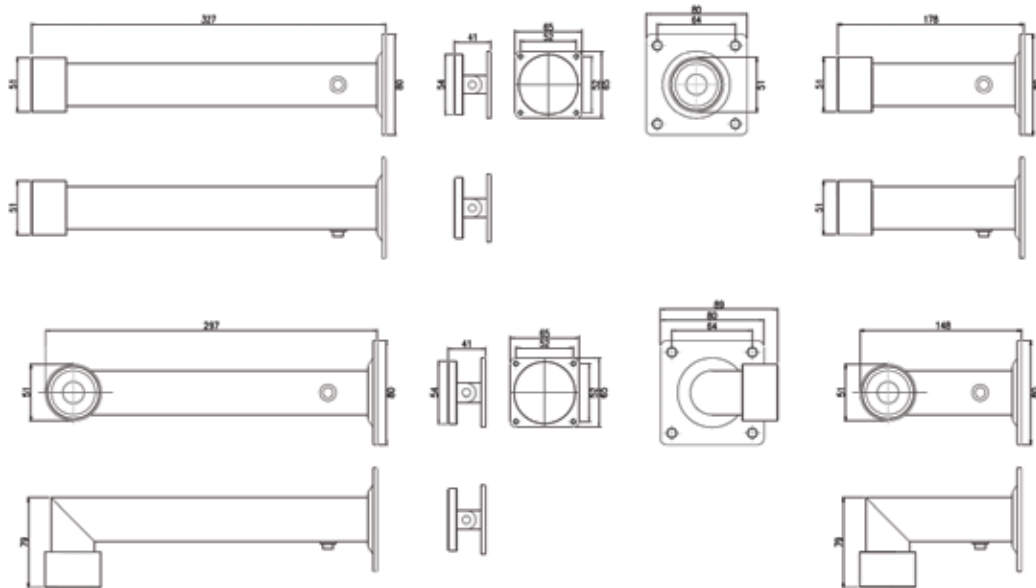
### SPECIFICATIONS

|                  |  |
|------------------|--|
| 35770-150        | 150MM WALL OR FLOOR 90 DEGREE HOLD OPEN MAGNET         |
| 35770-300        | 300MM WALL OR FLOOR 90 DEGREE HOLD OPEN MAGNET         |
| HOLDING STRENGTH | UP TO 50KG   |
| VOLTAGE/CURRENT  | DUAL VOLTAGE 12/24VDC 12VDC = 140mA 24VDC = 70mA       |
| ENVIRONMENTAL    | OPERATIONAL TEMPERATURE RANGE - 0 DEG. C TO 55 DEG. C. |

# 35000 SERIES

Wall or Floor Hold Open Magnets with Extension

## PRODUCT DIMENSIONS



Dimensions (mm)

## 35770 EXTENSION FACTS

- Dual Voltage 12 & 24VDC
- High holding force up to 50kgs
- Manual override release button
- Wall or floor mountable
- 150mm or 300mm lengths
- No residual magnetism

**LOX**<sup>®</sup>  
LOCKING

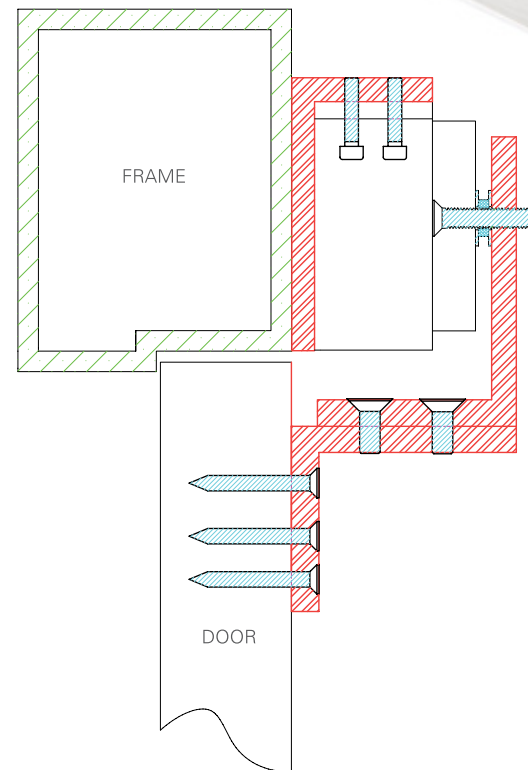
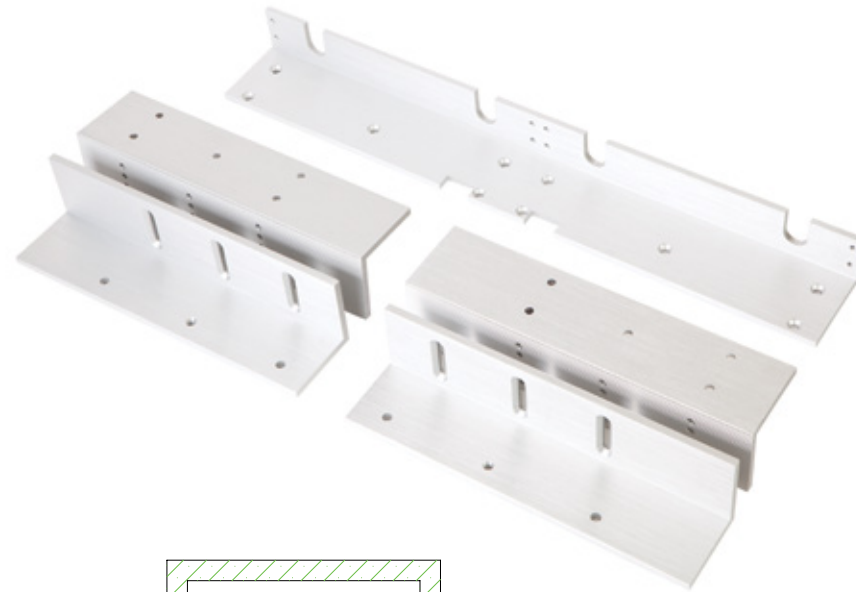
# Accessories

# ACCESSORIES

## Electro Magnetic Locks

Adjustable "L" and "Z" brackets for inward opening doors

| PART NO.       | BRACKET TO SUIT           |
|----------------|---------------------------|
| AMZB1-LP       | EM5700 / EM5000           |
| AMZB1D-LP      | EM5700D                   |
| AMZB1-LP-DSS   | EM5700M                   |
| AMZB1D-LPDSS   | EM5700DM                  |
| AMZB4-LP       | EM3500 / EM4700 / EM3500M |
| AMZB4D-LP      | EM3500D / EM3500DM        |
| AMZB3          | CCW30S / EM4500           |
| AMZB1-DSS-BLK  | EM5700M-BLK               |
| AMZB1D-DSS-BLK | EM5700DM-BLK              |
| AMZB4-BLK      | EM3500M-BLK               |
| AMZB4D-BLK     | EM3500DM-BLK              |





# ACCESSORIES

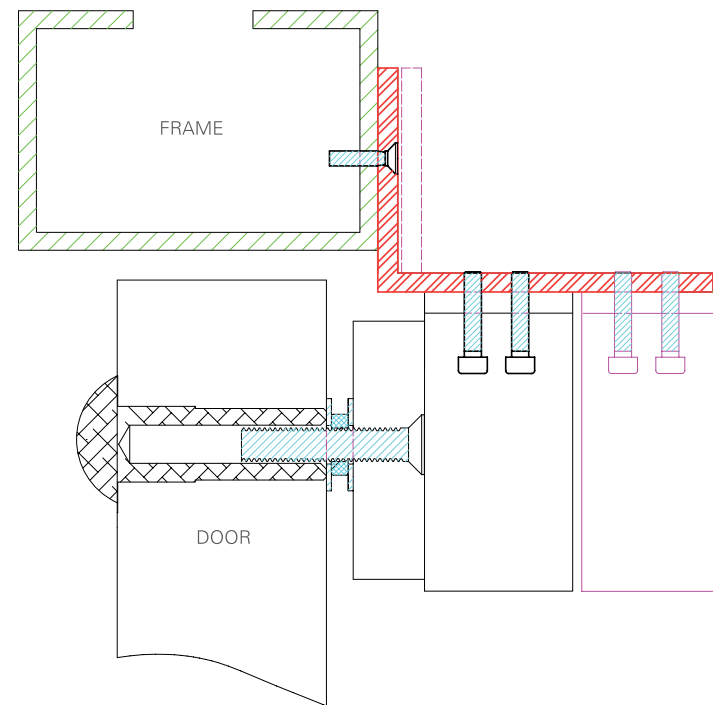
## Electro Magnetic Locks

Adjustable "L" bracket for narrow door frames

| PART NO.  | BRACKET TO SUIT    |
|-----------|--------------------|
| AMLB1     | EM5700 / EM5700M   |
| 2 X AMLB1 | EM5700D / EM5700DM |
| AMLB4     | EM3500 / EM3500M   |
| 2 X AMLB4 | EM3500D / EM3500DM |

Non adjustable "L" bracket

| PART NO. | BRACKET TO SUIT  |
|----------|------------------|
| AMFB1    | EM5700 / EM5700M |
| AMFB3    | CCW30S           |
| AMFB4    | EM3500 / EM3500M |



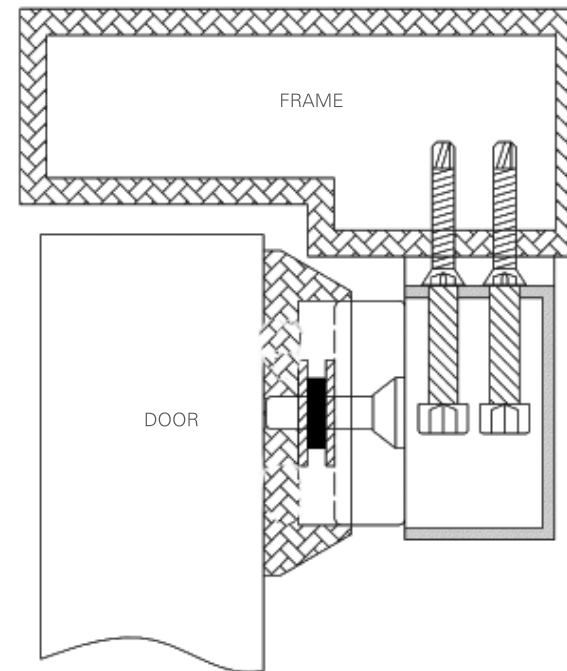
# ACCESSORIES

## Electro Magnetic Locks

Stick on armature plate holder for glass doors  
(Recommended 3M-VHB tape, not supplied)



| PART NO.          | BRACKET TO SUIT    |
|-------------------|--------------------|
| AMAB1             | EM5700             |
| 2 X AMAB1         | EM5700D            |
| AMAB1-DSS         | EM5700M            |
| 2 x AMAB1-DSS     | EM5700DM           |
| AMAB4             | EM3500 / EM3500M   |
| 2 X AMAB4         | EM3500D / EM3500DM |
| AMAB1-DSS-BLK     | EM5700M-BLK        |
| 2 X AMAB1-DSS-BLK | EM5700DM-BLK       |
| AMAB4-BLK         | EM3500M-BLK        |
| 2 X AMAB4-BLK     | EM3500DM-BLK       |



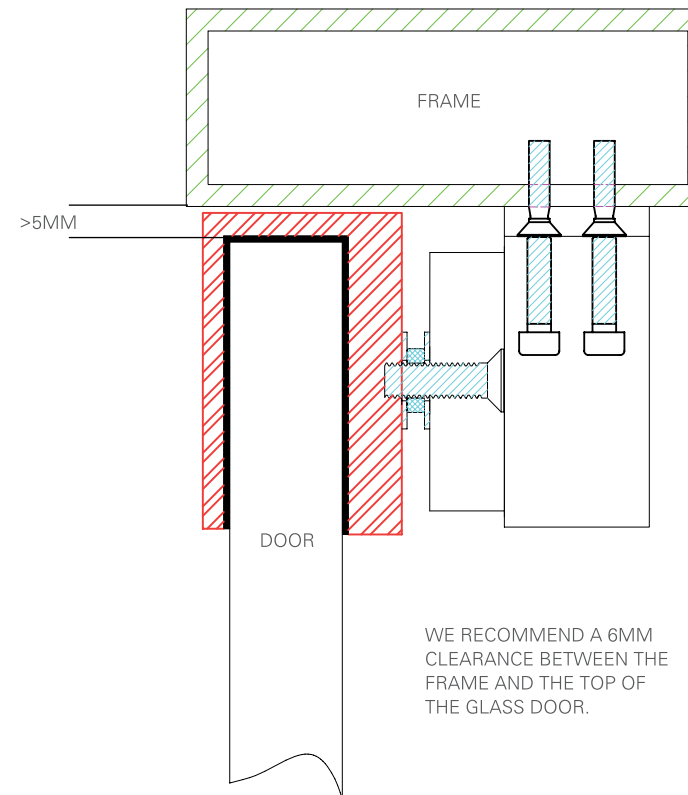
# ACCESSORIES

## Electro Magnetic Locks

Glass door bracket "U-Profile"  
to fix armature plate to 10-12mm glass door



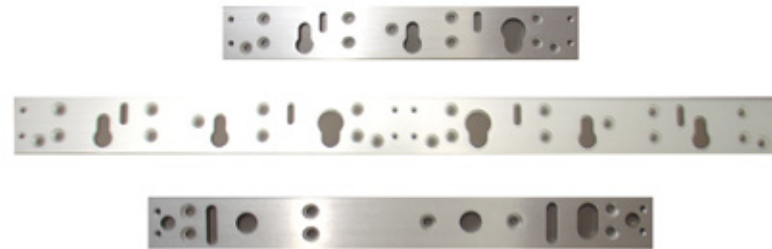
| PART NO.             | BRACKET TO SUIT           |
|----------------------|---------------------------|
| AMGB1-12             | EM5700 / EM5000           |
| 2 X AMGB1-12         | EM5700D                   |
| AMGB1-12-DSS         | EM5700M                   |
| 2 x AMGB1-12-DSS     | EM5700DM                  |
| AMGB4-12             | EM3500 / EM3500M / EM4700 |
| 2 X AMGB4-12         | EM3500D / EM3500DM        |
| AMGB1-12-DSS-BLK     | EM5700M-BLK               |
| 2 X AMGB1-12-DSS-BLK | EM5700DM-BLK              |
| AMGB4-12-BLK         | EM3500M-BLK               |
| 2 X AMGB4-12-BLK     | EM3500DM-BLK              |



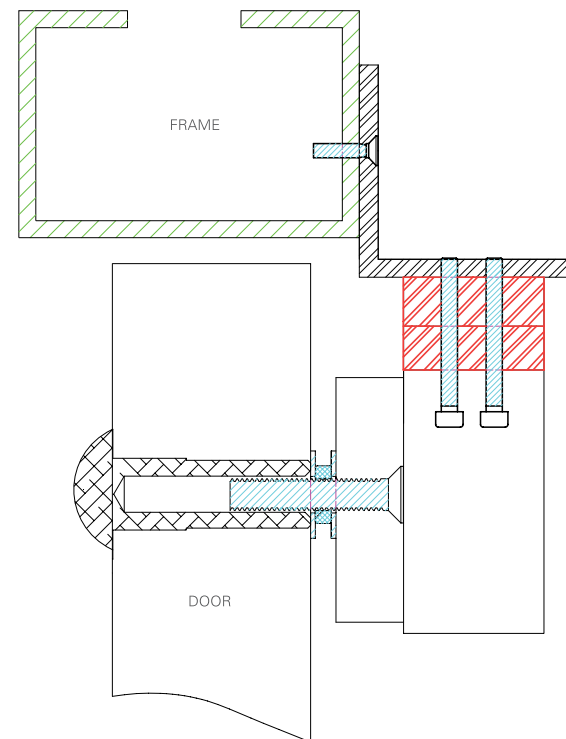
# ACCESSORIES

## Electro Magnetic Locks

Mounting Plate for packing out magnets



| PART NO.       | MOUNTING PLATE TO SUIT |
|----------------|------------------------|
| CCW30S-MP      | CCW30S                 |
| EM3500-MP      | EM3500 / EM3500M       |
| EM3500D-MP     | EM3500D / EM3500DM     |
| EM5700-MP      | EM5700 / EM5700M       |
| EM5700D-MP     | EM5700D / EM5700DM     |
| EM3500-MP-BLK  | EM3500M-BLK            |
| EM3500D-MP-BLK | EM3500DM-BLK           |
| EM5700-MP-BLK  | EM5700M-BLK            |
| EM5700D-MP-BLK | EM5700DM-BLK           |



# ACCESSORIES

## Electro Magnetic Locks

Lookup by Product

| BY PRODUCT   | L & Z BRACKET                     | L BRACKET      | STICK ON ARMATURE PLATE HOLDER | INVERTED U-SHAPE ARMATURE PLATE HOLDER | MOUNTING PLATE |
|--------------|-----------------------------------|----------------|--------------------------------|--|----------------|
| EM4500       | AMZB3 ("L - BRACKET" NOT USED)    | NOT APPLICABLE | NOT APPLICABLE                 | NOT APPLICABLE                         | NOT APPLICABLE |
| EM4700       | AMZB4-LP ("L - BRACKET" NOT USED) | NOT APPLICABLE | NOT APPLICABLE                 | NOT APPLICABLE                         | NOT APPLICABLE |
| EM5000       | AMZB1-LP ("L - BRACKET" NOT USED) | NOT APPLICABLE | NOT APPLICABLE                 | NOT APPLICABLE                         | NOT APPLICABLE |
| CCW30S       | AMZB3                             | NOT APPLICABLE | NOT APPLICABLE                 | NOT APPLICABLE                         | CCW30S-MP      |
| EM3500       | AMZB4-LP                          | AMLB4          | AMAB4                          | AMGB4-12                               | EM3500-MP      |
| EM3500M      | AMZB4-LP                          | AMLB4          | AMAB4                          | AMGB4-12                               | EM3500-MP      |
| EM3500D      | AMZB4D-LP                         | 2 X AMLB4      | 2 X AMAB4                      | 2 X AMGB4-12                           | EM3500D-MP     |
| EM3500DM     | AMZB4D-LP                         | 2 X AMLB4      | 2 X AMAB4                      | 2 X AMGB4-12                           | EM3500D-MP     |
| EM5700       | AMZB1-LP                          | AMLB1          | AMAB1                          | AMGB1-12                               | EM5700-MP      |
| EM5700M      | AMZB1-LP-DSS                      | AMLB1          | AMAB1-DSS                      | AMGB1-12-DSS                           | EM5700-MP      |
| EM5700D      | AMZB1D-LP                         | 2 X AMLB1      | 2 X AMAB1                      | 2 X AMGB1-12                           | EM5700D-MP     |
| EM5700DM     | AMZB1D-LP-DSS                     | 2 X AMLB1      | 2 X AMAB1-DSS                  | 2 X AMGB1-12-DSS                       | EM5700D-MP     |
| EM3500M-BLK  | AMZB4-LP-BLK                      | NOT AVIALABLE  | AMAB4-BLK                      | AMGB4-12-BLK                           | EM3500-MP-BLK  |
| EM3500DM-BLK | AMZB4D-LP-BLK                     | NOT AVIALABLE  | 2 X AMAB4-BLK                  | 2 X AMGB4-12-BLK                       | EM3500D-MP-BLK |
| EM5700M-BLK  | AMZB1-LP-DSS-BLK                  | NOT AVIALABLE  | AMAB1-BLK                      | AMGB1-12-BLK                           | EM5700-MP-BLK  |
| EM5700DM-BLK | AMZB1D-LP-DSS-BLK                 | NOT AVIALABLE  | 2 X AMAB1-BLK                  | 2 X AMGB1-12-BLK                       | EM5700D-MP-BLK |

**LOX**<sup>®</sup>  
LOCKING



**MORE  
THAN JUST  
A STRIKE.**



**LOX<sup>®</sup>**

**LOX<sup>®</sup>**

[www.loxlocking.com.au](http://www.loxlocking.com.au)