

EM3500D SERIES

Double Door Monitored & Non Monitored

EM3500D DESCRIPTION

The **LOX EM3500D** Series product line is a comprehensive Electro Magnetic Lock range with up to **280kg** holding force. It is one of the most reliable and most successful Electro Magnetic Locks in the Australian market.

THE MONITORED MAGNETIC LOCKS HAVE:

- A built-in Hall Effect Sensor for monitoring the lock/unlock status of the locking device (LSS – Lock Status Sensor)
- A built-in reed switch contact for monitoring the open/closed status of the door (DSS – Door Status Sensor)
- Highly visible red/green LED Status Light
- Anti-Tamper-Fixing-Plate (monitored version only) to avoid hostile attacks targeted on the dome-nut-fixing bolt of the Armature Plate



Monitored version pictured

EM3500D

NON MONITORED DOUBLE ELECTRO MAGNETIC LOCK

EM3500DM

MONITORED DOUBLE ELECTRO MAGNETIC LOCK


DUAL LED STATUS LIGHT



LOCKED

UNLOCKED

SPECIFICATIONS

EM3500D	DOUBLE ELECTRO MAGNETIC LOCK NON MONITORED
EM3500DM	DOUBLE ELECTRO MAGNETIC LOCK MONITORED
HOLDING STRENGTH	UP TO 280KG, TESTED TO 1 MILLION CYCLES
VOLTAGE/CURRENT	DUAL VOLTAGE 12/24VDC 12VDC = 530mA X 2 24VDC = 260mA X 2
APPROVALS	UP TO 4 HOUR FIRE RATED TO A.S STANDARD, CE & C-TICK 
LSS MONITORING	LSS LOCK STATUS SENSOR (HALL EFFECT)
DSS MONITORING	DOOR STATUS SENSOR (REED SWITCH)
LED LIGHT STATUS	LED LIGHT STATUS INDICATES LOCKED OR UNLOCKED STATUS
ENVIRONMENTAL	OPERATIONAL TEMPERATURE RANGE - 20 DEG. C TO 60 DEG. C.

LOX
LOCKING

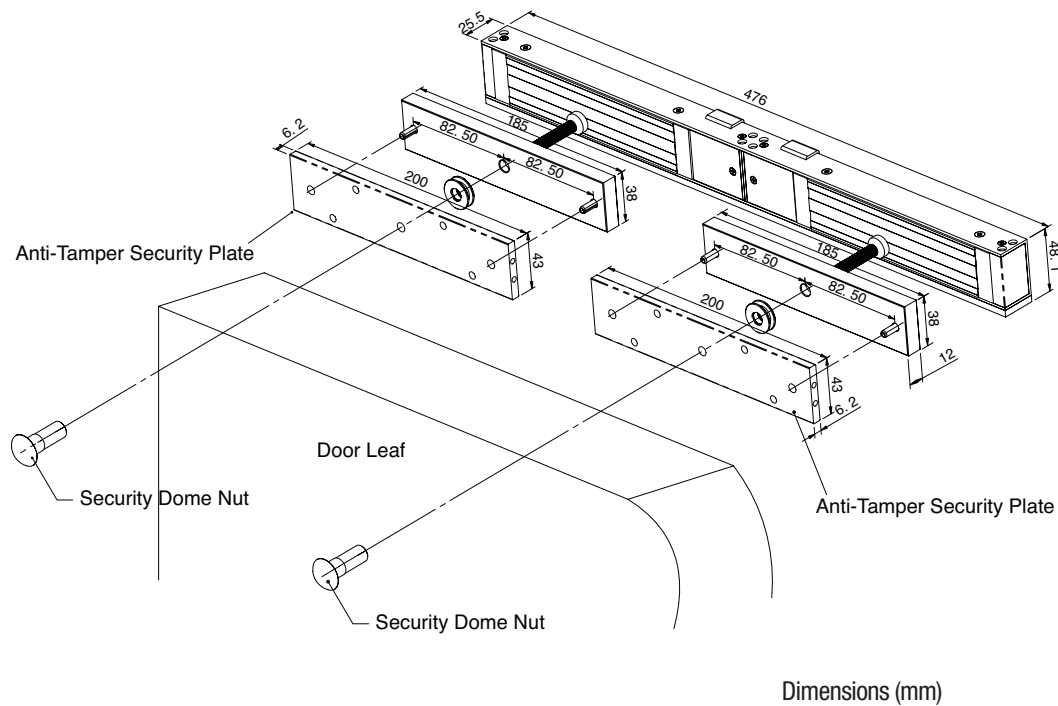
LOX LOCKING PTY LTD | www.loxlocking.com.au

LOX[®]

EM3500D SERIES

Double Door Monitored & Non Monitored

PRODUCT DIMENSIONS



EM3500D FACTS

- Door and Lock Status monitoring Sensor (DSS & LSS with monitored models)
- Built-in varistor (MOV) surge protection
- CE/RCM Approvals
- Anti Tamper Mounting Plate (with "M" models)
- High visibility red/green Status Light Panel
- Lifetime warranty
- Up to 4 hour fire rated to AS Standard
- No residual magnetism

ACCESSORIES



EM3500D-MP

LOX MOUNTING PLATE FOR EM3500D/DM



AMGB4-12

LOX U SHAPE ARMATURE HOLDER FOR GLASS DOORS EM3500/M & EM3500D/DM



AMZB4D-LP

LOX L & Z BRACKET FOR INWARDS OPENING DOORS EM3500D/DM



AMAB4

LOX ARMATURE HOLDER AND DRESS PLATE FOR GLASS DOORS EM3500/M



AMFB4

LOX L-BRACKET FOR EM3500 SERIES

AMLB4

LOX ADJUSTABLE L-BRACKET FOR EM3500 SERIES

LOX
LOCKING

LOX LOCKING PTY LTD | www.loxlocking.com.au

LOX[®]